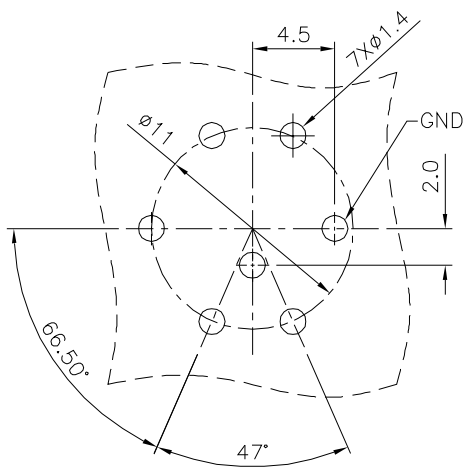
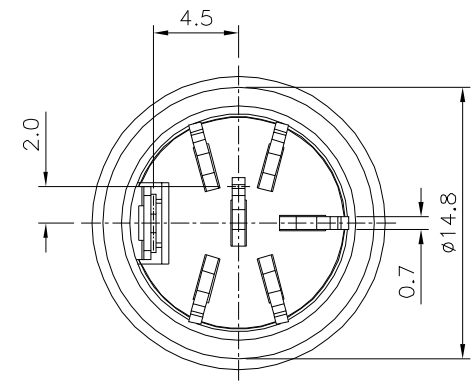
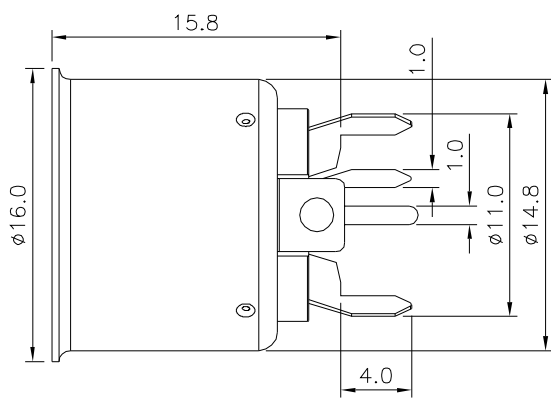
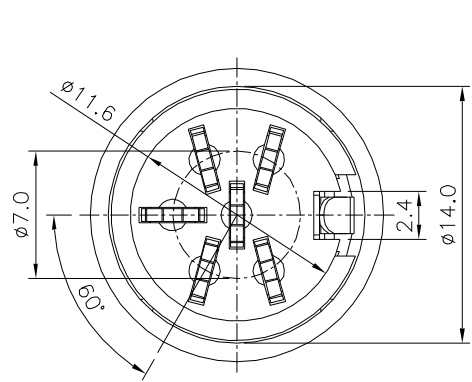


SPECIFICATION
 Withstand Voltage:500V AC For 1 Minute
 Contact Resistance:30 Milliohms Max.
 Insulation Resistance:100 Megaohms Min. At 500V DC
 ▲Tray Package
 RoHS Compliant



Recommended P.C.B. Layout(Bottom View)



④	Terminal	Brass	Silver Plated	6
③	6P Housing	PBT	—	1
②	GND Contact	Phosphor Bronze	Silver Plated	1
①	Shield Cover	Steel	Nickel Plated	1
No.	Description	Material	Remark	Q'ty

4UCON 元化興業股份有限公司
 4UCON TECHNOLOGY INC.

DRAWING No. ▲		APPROVED BY		UNLESS OTHERWISE SPECIFIED TOLERANCES ARE .X ±0.3 .XX ±0.20 ANG.
05143		MEI		
		CHECKED BY	HZF	
		DRAWING BY	CYP	
SCALE	NONE	REV.	A1	UNIT mm

▲ A1	Modify Data	HZF	08/31/2020
▲ A0	NEW RELEASE	HZF	03/16/2017
NO. REV.	REVISIONS	CHK	DATE