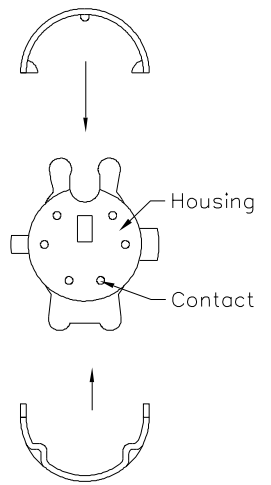
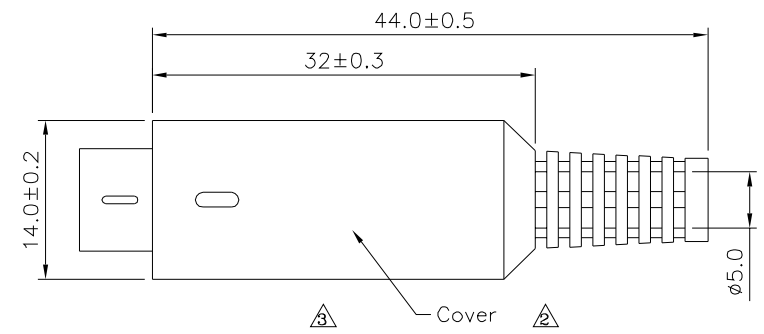
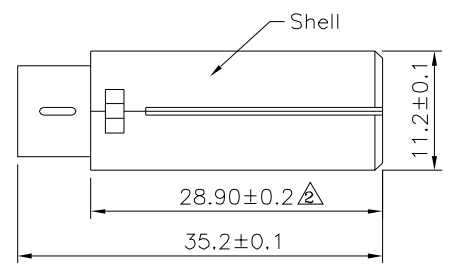
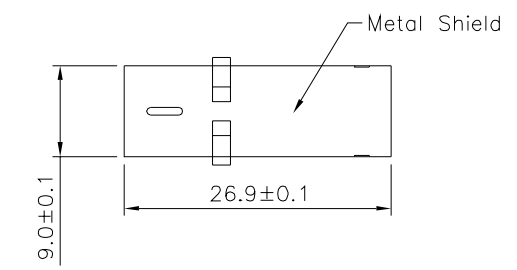


△ SPECIFICATION

Rating: 100V AC 1A Max.
 Insulation Resistance: 50 Megaohms Min. At 500V DC
 Dielectric Strength: 500V AC/1 Minute
 Insertion Force: 4.5kg Max.
 Withdrawal Force: 0.9kg~3kg
 Cover: EVA+PE(2L)
 Shell: ABS
 Metal Shield: Brass, Nickel Plated
 △ Housing: PA6+FB
 Contact: Brass, Silver Plated
 RoHS Compliant



05187	05188	05190	05191	05193	05194

4UCON 元化興業股份有限公司
 4UCON TECHNOLOGY INC.

DRAWING No.		APPROVED BY		UNLESS OTHERWISE SPECIFIED TOLERANCES ARE .X ±0.20 △ .XX ±0.10 ANG.	△ B4	Modify Data	HZF	03/07/2018
05188		MEI			△ B3	Modify Data	HZF	08/10/2015
		CHECKED BY			△ B2	Modify Data	HZF	08/23/2013
SCALE NONE		DRAWING BY		△ B1	Add UL94V-0	HZF	11/23/2010	
		CYP		△ B0	NEW RELEASE	EMILY	09/17/2008	
REV.	B4	UNIT	mm	NO. REV.	REVISIONS		CHK	DATE