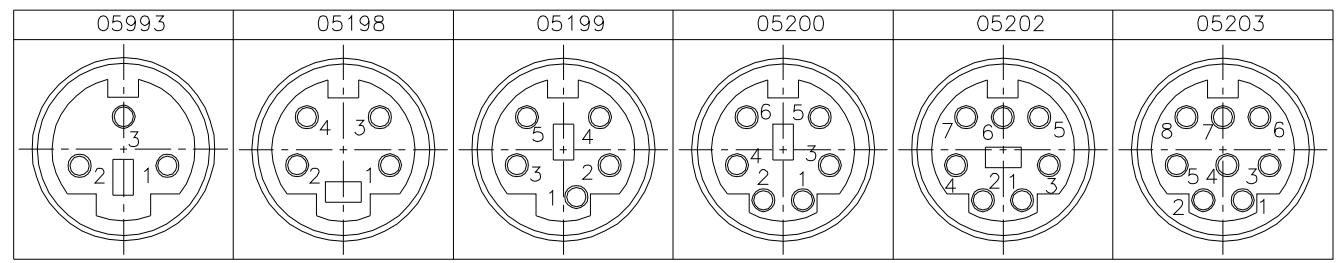
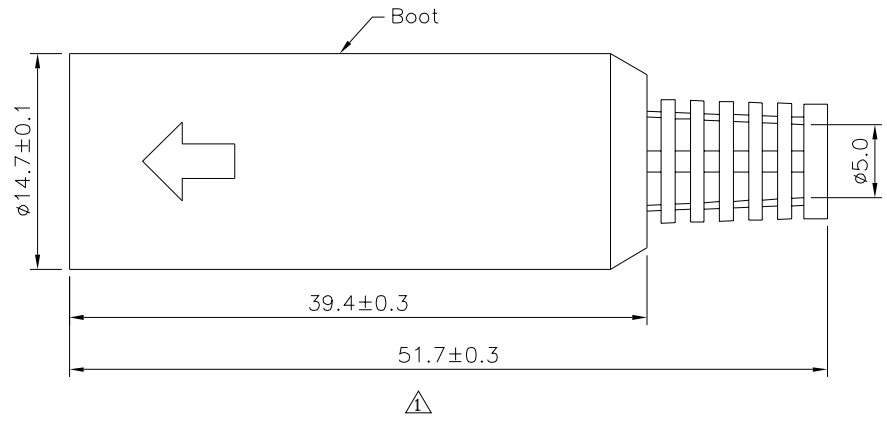
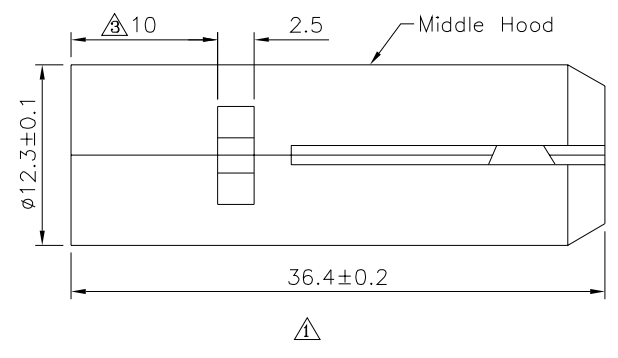


**△ SPECIFICATION**  
 Rating:100V AC 1A Max. Or 12V DC 2A Max.  
 Dielectric Strength:250V AC At 1 Minute  
 Contact Resistance:30 Milliohms Max.  
 Insulation Resistance:50 Megaohms Min. At 250V DC  
 Operation Temperature:-20°C~+105°C  
 Insertion Force:4.5Kg Max.  
 Withdrawal Force:0.9Kg~3Kg  
 △ Boot:EVA+PE(2L)  
 △ Middle Hood:ABS(PH-88)  
 △ Metal Shell:Copper,Nickel Plated  
 △ Insulator:PA6+G.F.  
 △ Pin Contact:Brass,Silver Plated  
 RoHS Compliant



**4UCON** 元化興業股份有限公司  
 4UCON TECHNOLOGY INC.

DRAWING No.		APPROVED BY		UNLESS OTHERWISE SPECIFIED TOLERANCES ARE △ .X ±0.1 .XX ±0.05 ANG.
05200		MEI		
		CHECKED BY	HZF	
SCALE		DRAWING BY		UNIT
NONE	REV.	A3		mm

NO.	REV.	REVISIONS	CHK	DATE
3	A3	Modify Data	HZF	03/07/2018
2	A2	Modify Data	HZF	06/11/2014
1	A1	Modify Data	HZF	03/18/2010
0	A0	NEW RELEASE	HZF	