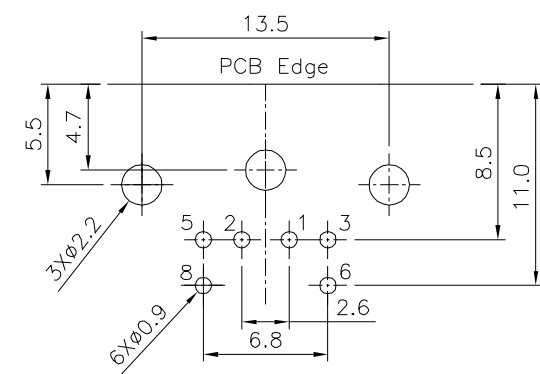
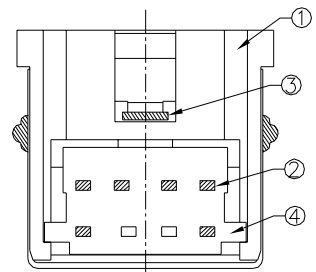
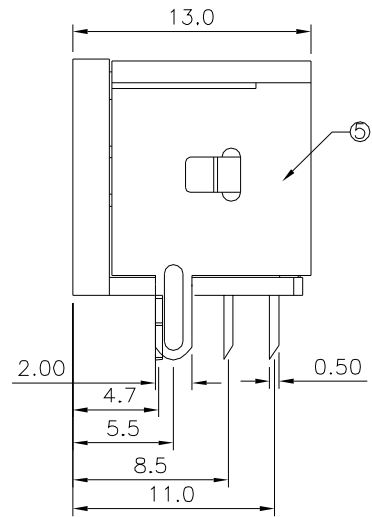
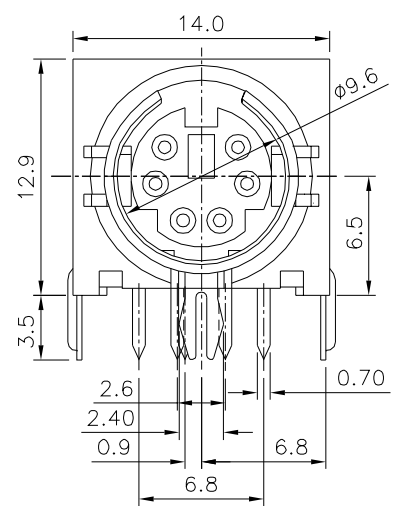
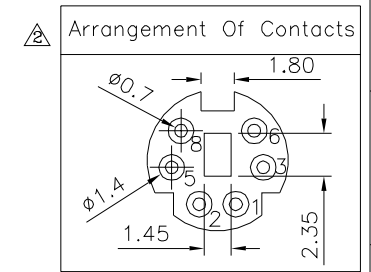


△ SPECIFICATION

Contact Resistance:30 Milliohms Max.
 Insulation Resistance:100 Megaohms Min. At 500V DC
 Rated Voltage And Current:DC 12V 2A Max.,AC 100V 1A Max.
 Withstand Voltage:250V AC For 1 Minute
 Durability:100 Cycles
 Insertion Force:4.0Kg Max.
 Extraction Force:0.9Kg Min.
 RoHS Compliant



△ Recommended P.C.B. Layout(Bottom View)



⑤	Shell	SPCC	Nickel Plated	1
④	Bottom Cover	PBT+G.F.	Black	1
③	Ground Terminal	Brass	Tin Plated	1
②	Contact Terminal	Phosphor Bronze	Gold Flash On Contact Area, Tin Plated On Solder Tails, Over Nickel	6
①	Housing	PBT+G.F.	Black	1
No.	Description	Material	Remark	Q'ty

4UCON 元化興業股份有限公司
 4UCON TECHNOLOGY INC.

DRAWING No. △
05208

APPROVED BY MEI
 CHECKED BY HZF
 DRAWING BY CYP

UNLESS OTHERWISE SPECIFIED TOLERANCES ARE
 △ X. ±0.38
 △ .X ±0.25
 △ .XX ±0.13
 △ .XXX ±0.05

SCALE	NONE	REV.	A2	UNIT	mm	NO. REV.	REVISIONS	CHK	DATE
-------	------	------	----	------	----	----------	-----------	-----	------

△ A2	Modify Data	HZF	10/12/2018
△ A1	Modify Data	HZF	02/13/2009
△ A0	NEW RELEASE		