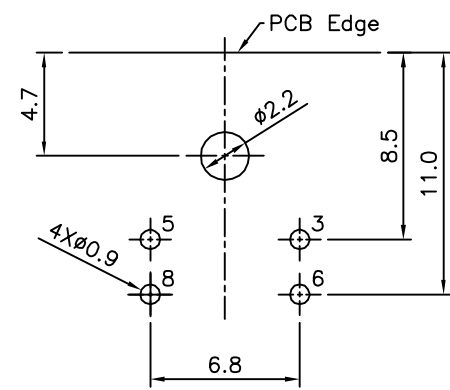
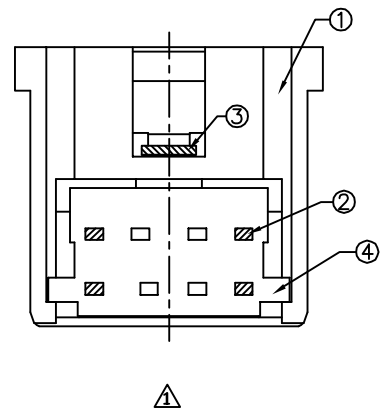
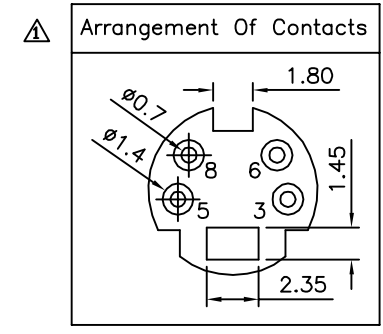


**△ SPECIFICATION**  
 Contact Resistance: 30 Milliohms Max.  
 Insulation Resistance: 100 Megohms Min. At 500V DC  
 Rated Voltage And Current: DC 12V 2A Max., AC 100V 1A Max.  
 Withstand Voltage: 250V AC For 1 Minute  
 Durability: 100 Cycles  
 Insertion Force: 4.0Kg Max.  
 Extraction Force: 0.9Kg Min.  
 RoHS Compliant



Recommended P.C.B. Layout (Bottom View)



④	Bottom Cover	PBT+G.F.	Black	1
③	Ground	Brass	Tin Plated	1
②	Contact	Phosphor Bronze	Gold Flash On Contact Area, Tin Plated On Solder Tails, Over Nickel	4
①	Housing	PBT+G.F.	Black	1
No.	Name	Material	Finish	Q'ty

**4UCON** 元化興業股份有限公司  
 4UCON TECHNOLOGY INC.

DRAWING No.		APPROVED BY		UNLESS OTHERWISE SPECIFIED TOLERANCES ARE △ X. ±0.38 .X ±0.25 .XX ±0.13 .XXX ±0.05
05229		EMILY		
		CHECKED BY HZF		
		DRAWING BY SONG		
SCALE	NONE	REV.	A1	UNIT mm

△ A1	Modify Data	HZF	09/27/2012
△ A0	NEW RELEASE		
NO. REV.	REVISIONS	CHK	DATE