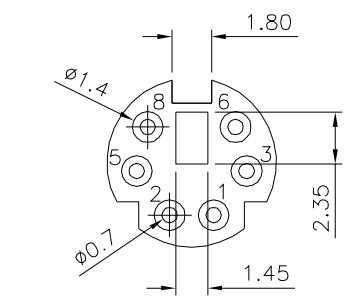
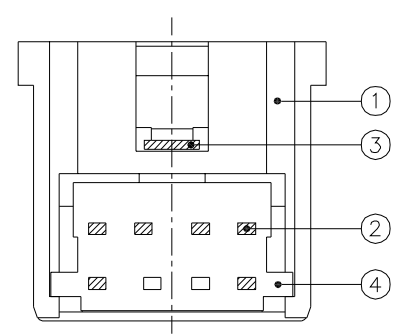
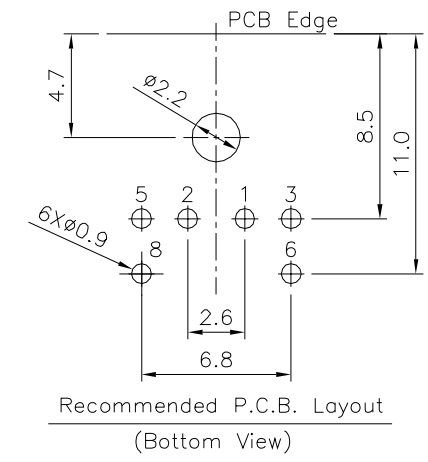
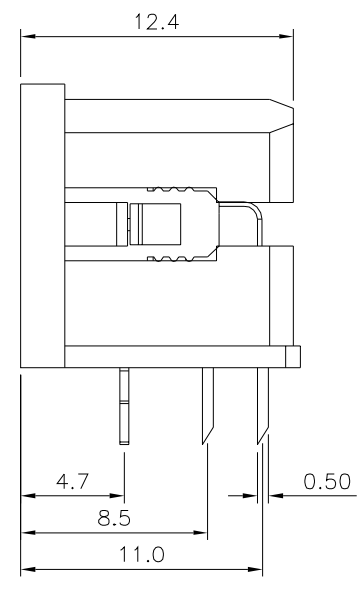
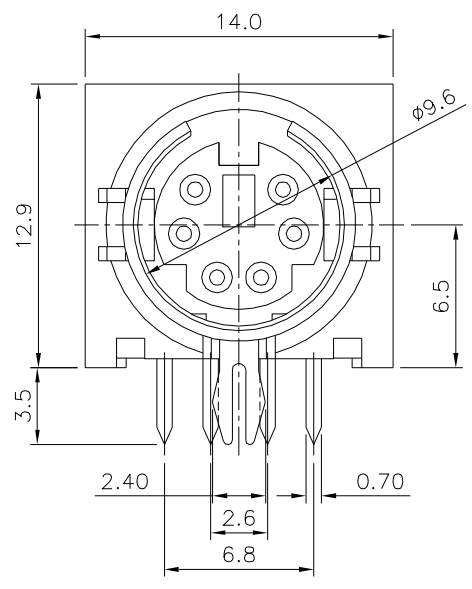


△ SPECIFICATION

Rated Voltage And Current:DC 12V,2A Max.
 AC 100V,1A Max.
 Dielectric Withstanding Voltage:250V AC For 1 Minute
 Contact Resistance:30 Milliohms Max.
 Insulation Resistance:100 Megaohms Min. At 500V DC
 Durability(Life Test):100 Cycles
 Insertion Force:4.0 kg Max.
 Extraction Force:0.9 kg Min.
 RoHS Compliant



△ Arrangement Of Contacts

No.	Name	Q'ty	Material	Remark
①	Housing	1	PBT+G.F.	Black
②	Contact Terminal	6	Phosphor Bronze	Gold Flash On Contact Area,Tin Plated On Solder Tails,Over Nickel
③	Ground Terminal	1	Brass	Tin Plated
④	Bottom Cover	1	PBT+G.F.	Black

4UCON 元化興業股份有限公司
 4UCON TECHNOLOGY INC.

DRAWING No.		APPROVED BY		UNLESS OTHERWISE SPECIFIED TOLERANCES ARE X. ±0.38 .X ±0.25 .XX ±0.13 .XXX ±0.05
05231		MEI		
		CHECKED BY	HZF	
SCALE	NONE	DRAWING BY	QQJ	
REV.	A2	UNIT	mm	

NO.	REV.	REVISIONS	CHK	DATE
△A2		Modify Data	HZF	02/25/2015
△A1		Modify Data	HZF	01/13/2011
△A0		NEW RELEASE		