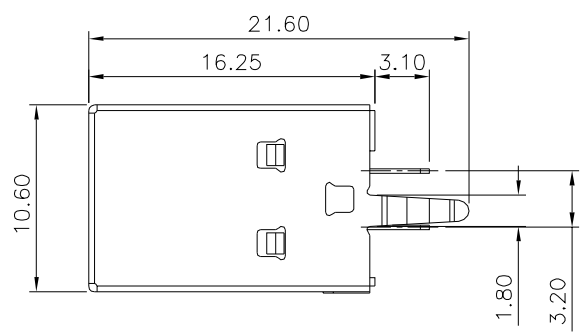


Recommended P.C.B. Layout



**SPECIFICATION**

Current:1.5A Max.  
 Voltage:30V Max.  
 Withstanding Voltage:500V AC  
 Contact Resistance:30 Milliohms Max.  
 Insulation Resistance:1000 Megaohms Min.  
 Temperature Range:-55°C~+85°C  
 Mating Force:35N Max.  
 Withdrawal Force:10N Min.  
 Durability:1500 Cycles Min.  
 Contact:Phosphor Bronze  
     Gold Flash On Contact Area,Tin  
     Plated On Solder Tails,Over Nickel  
 Insulator/Plug:PBT+30%G.F.(UL94V-0)  
 Shell:Brass,Nickel Plated Over All  
 RoHS Compliant

Item No.	Insulator Color
05245	White
22055	Black

**4UCON** 元化興業股份有限公司  
 4UCON TECHNOLOGY INC.

DRAWING No.		APPROVED BY		UNLESS OTHERWISE SPECIFIED TOLERANCES ARE
05245		MEI		
		CHECKED BY	HZF	
		DRAWING BY	HAO	.X ±0.38 .X* ±2* .XX ±0.25 .XX* ±1* .XXX ±0.13 .XXX* ±0.5*
SCALE	NONE	REV.	CO	UNIT mm

NO.	REV.	CO	NEW RELEASE	HZF	05/02/2022
			REVISIONS	CHK	DATE