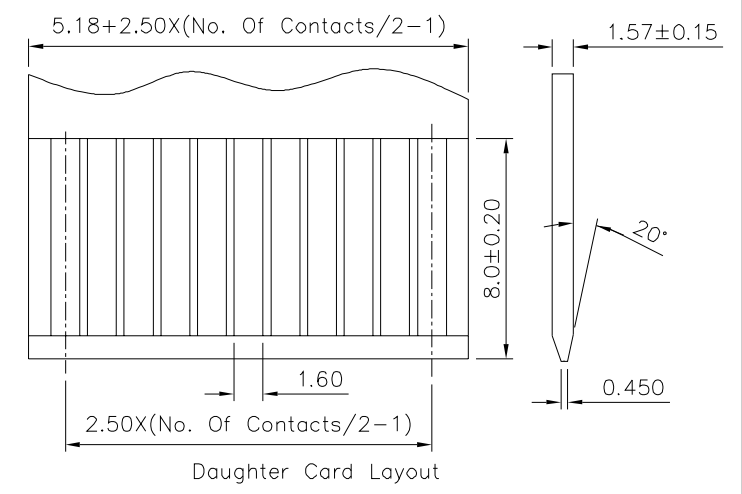
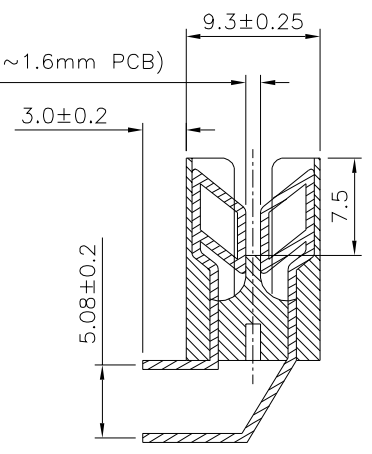
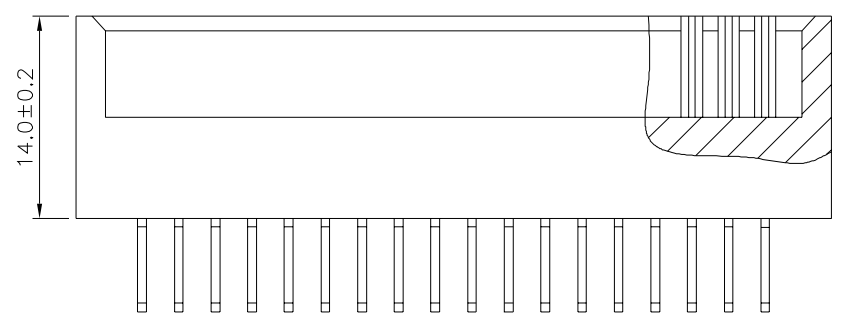
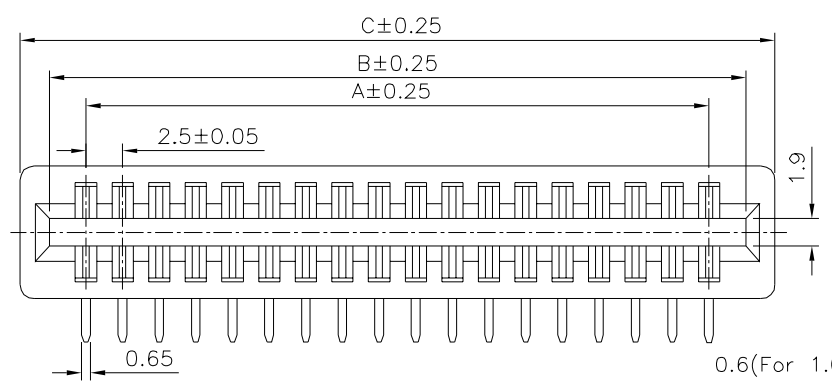
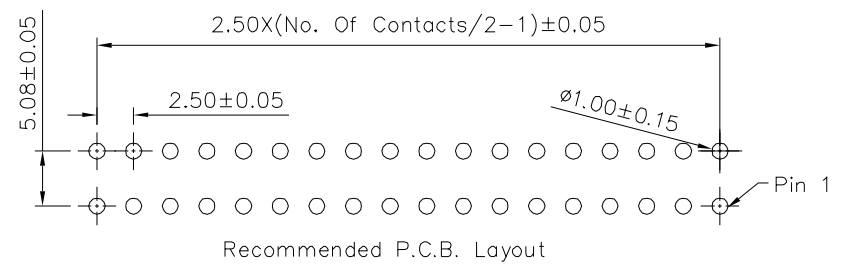


SPECIFICATION

Current Rating: 3 Amp
 Dielectric Withstanding Voltage: 1000V AC/Minute
 Contact Resistance: 20 Milliohms Max.
 Insulation Resistance: 5000 Megaohms Min. At 500V DC
 Operating Temperature: -55°C~+85°C
 Insertion Force: 340g Max. Per Pair
 Withdrawal Force: 28g Min. Per Pair
 Housing: PBT+G.F.(UL94V-0)
 Contact: Brass, Gold Plated Over Nickel
 RoHS Compliant



Pin	A	B	C
46	55.00	41.46	65.02
50	60.00	65.54	70.10

4UCON 元化興業股份有限公司
 4UCON TECHNOLOGY INC.

DRAWING No.		APPROVED BY		UNLESS OTHERWISE SPECIFIED TOLERANCES ARE .X ±0.38 .XX ±0.25 ANG.
05362		MEI		
		CHECKED BY	HZF	
		DRAWING BY	CYP	
SCALE	NONE	REV.	A0	UNIT mm

NO.	REV.	REVISIONS	CHK	DATE
△ A0		NEW RELEASE	HZF	01/12/2021