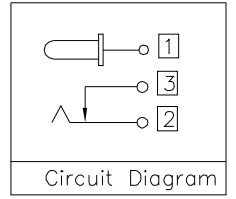
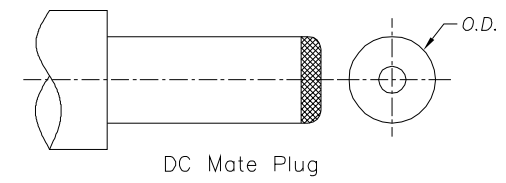
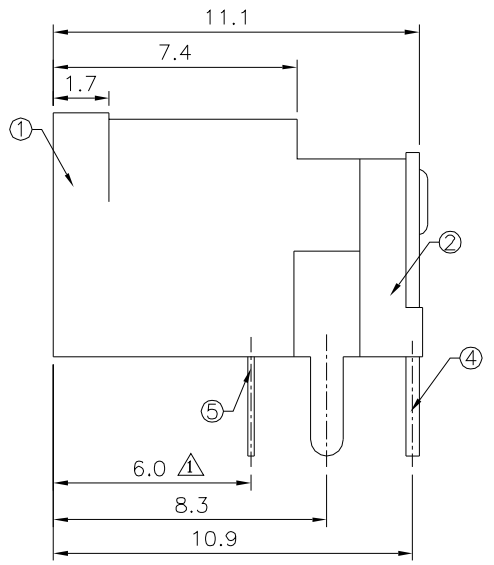
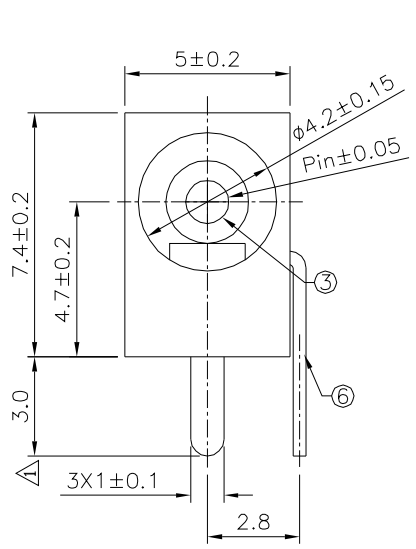
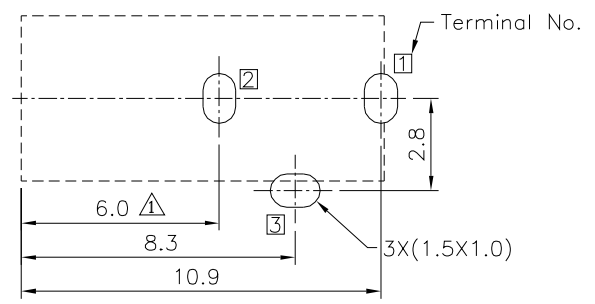
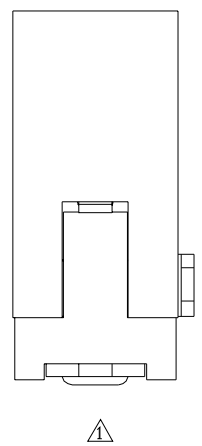


SPECIFICATION
 Rating:DC 30V 1A
 Withstand Voltage:500V AC
 Contact Resistance:50 Milliohms Max.
 After Test:100 Milliohms Max.
 Insulation Resistance:100 Megaohms Min. (500V DC)
 After Test:50 Megaohms Min.
 Operation Temperature Range:-20°C~+70°C
 Storage Temperature Range:-40°C~+85°C
 Insertion And Extraction Force:3~30N
 Life Test:5000 Cycles Min.
 RoHS Compliant



Circuit Diagram

□ : Terminal No.



Recommended P.C.B. Layout(Top View)
 (PCB Board Tolerance±0.05)

ITEM No.	20225	05535	05536
DC Plug O.D.	φ2.35	φ3.5	φ3.5
Pin Diameter	φ0.65	φ1.0	φ1.3

⑥	Shunt Terminal	③	1	Brass	Silver Plated
⑤	Tip Spring	②	1	Stainless steel	Silver Plated
④	Center Pin Terminal	①	1	Brass	Silver Plated
③	Center Pin		1	Brass	CuSn Plated
②	Cover		1	PBT	Black
①	Housing		1	PBT	Black
No.	Description	Q'ty	Material	Remark	

4UCON 元化興業股份有限公司
 4UCON TECHNOLOGY INC.

DRAWING No.		APPROVED BY	
05535		MEI	
		CHECKED BY	
		HZF	
DRAWING BY		CYP	
SCALE	NONE	REV.	B1

UNLESS OTHERWISE SPECIFIED TOLERANCES ARE				
.X	±0.50	△X.*	±5°	
.XX	±0.30	.X*	±3°	
.XXX	±0.15	.XX*	±2°	
UNIT	mm			
NO.	REV.	REVISIONS		DATE
△A	B1	Modify Data	HZF	08/09/2018
△A	B0	NEW RELEASE	HZF	07/26/2015