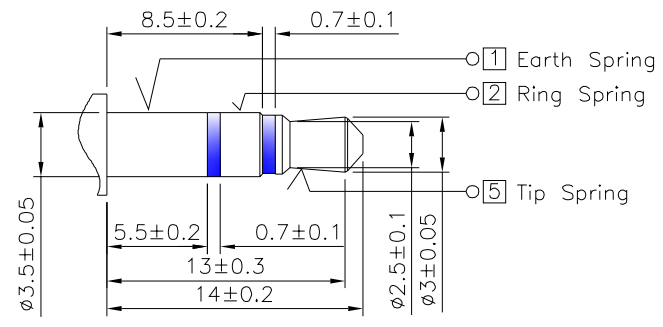
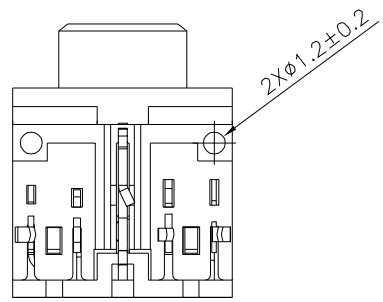


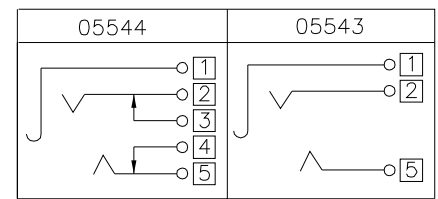
Recommended P.C.B. Layout
(Copper-Sided View)

SPECIFICATION
 Rating:30V 0.5A DC
 Withstand Voltage:500V AC
 Contact Resistance:50 Milliohms Max.
 After Test:100 Milliohms Max.
 Insulation Resistance:100 Megaohms Min. (500V DC)
 After Test:50 Megaohms Min.
 Operation Temperature Range:-20°C~+70°C
 RoHS Compliant



Matching Plug

Schematic



No.	Description	Q'ty	Material	Remark
①	Housing	1	PBT	Black
②	Cover	1	PBT	Black
③	Earth Terminal ①	1	Phosphor Bronze	Tin Plated
④	Ring Spring ②	1	Stainless Steel	Tin Plated
⑤	Shunt Terminal ③	1	Brass	Tin Plated
⑥	Shunt Terminal ④	1	Brass	Tin Plated
⑦	Tip Spring ⑤	1	Stainless Steel	Tin Plated

□ :Terminal No. ○ :Item No.

4UCON 元化興業股份有限公司
4UCON TECHNOLOGY INC.

DRAWING No.		APPROVED BY		UNLESS OTHERWISE SPECIFIED TOLERANCES ARE X. ±0.3 .X ±0.3 ANG. ±2°
05543		MEI		
		CHECKED BY		
		HZF		
		DRAWING BY		
		CYP		
SCALE	NONE	REV.	B1	UNIT mm

△ B1	Modify Data	HZF	09/14/2023
△ B0	NEW RELEASE	HZF	12/20/2020
NO. REV.	REVISIONS	CHK	DATE