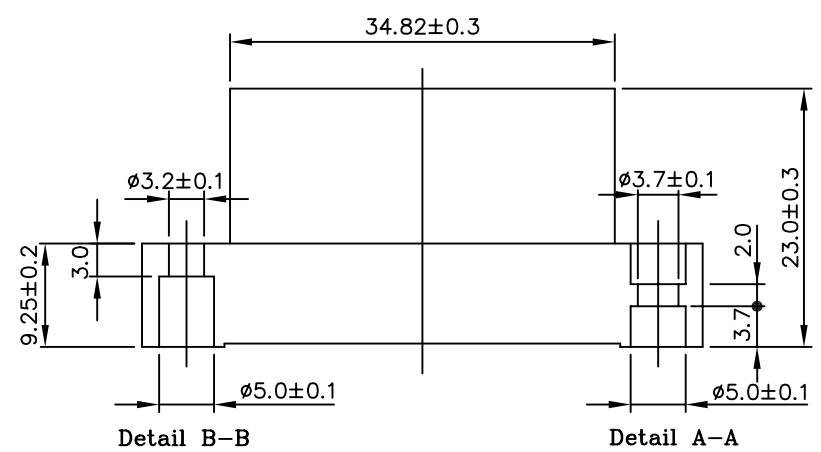
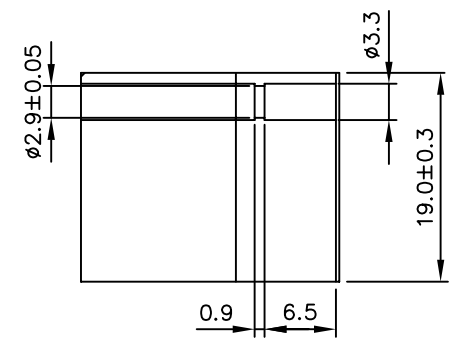
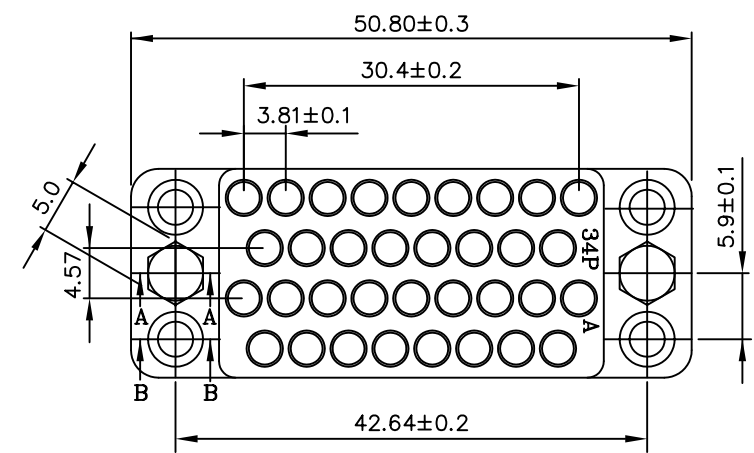


SPECIFICATIONS
 Current Rating: 7 Amp
 Insulation Resistance: 1000 Megohms Min.
 Withstanding Voltage: 1200V AC/Min
 Contact Resistance: 10 Milliohms Max.
 Temperature Range: -55°C ~ +105°C
 Housing And Cover: Plactic Thermoplastic
 P.B.T UL94V-0 Black



4UCON 元化興業股份有限公司
 4UCON TECHNOLOGY INC.

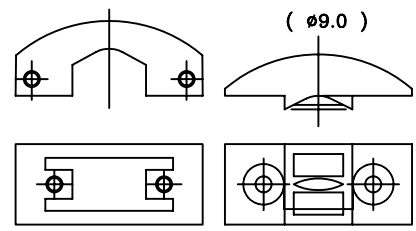
DRAWING No.		APPROVED BY		UNLESS OTHERWISE SPECIFIED TOLERANCES ARE .X ±0.2 .XX ±0.10 .XXX				
05571		MEI						
		SHIN						
		DRAWING BY						
		LCH						
SCALE	NONE	REV.	A1	UNIT	mm			
					NO. REV.	REVISIONS	CHK	DATE
					A1	Add Specifications	SHIN	09/07/2006
					A0	NEW RELEASE	RAN	

FEATURES:

- 34 pos connection system
- Assembly hood Aluminum Alloy hood with jackscrews
- Fully EMI/RFI shielded

MATERIALS:

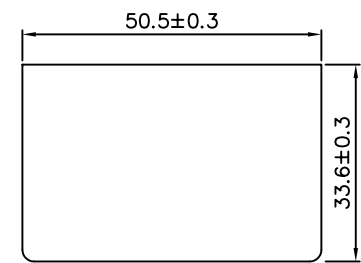
- Backshell: Plumbum alloy, nickel plated over copper
- Jackscrews: Steel, nickel plated over copper
- Round screws: Steel, nickel plated
- Flat screws: Steel, nickel plated
- Cable clipper: ABS (black)



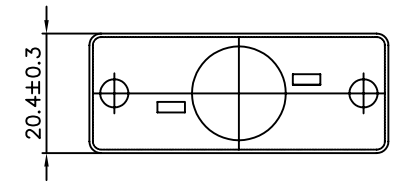
Cable Clipper: ABS
(Entry Hole: $\phi 6.6$ or $\phi 10.7$)



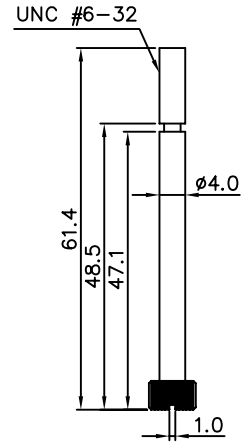
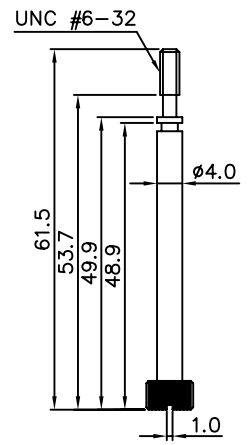
M2.6*6
(4 Places)



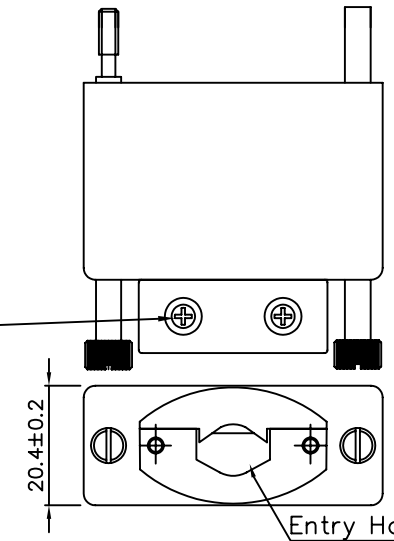
Thread Screw



Aluminum alloy hood



Flat Screw
M2.6*6
(2 Places)



Entry Hole

4UCON 元化興業股份有限公司
4UCON TECHNOLOGY INC.

DRAWING No.
05571

APPROVED BY MEI
CHECKED BY SHIN
DRAWING BY LCH

UNLESS OTHERWISE SPECIFIED TOLERANCES ARE
.X ±0.2
.XX ±0.10
.XXX
UNIT mm

NO.	REV.	REVISIONS	CHK	DATE
△ A1		Add Specifications	SHIN	09/07/2006
△ A0		NEW RELEASE	RAN	

SCALE NONE

REV. A1

