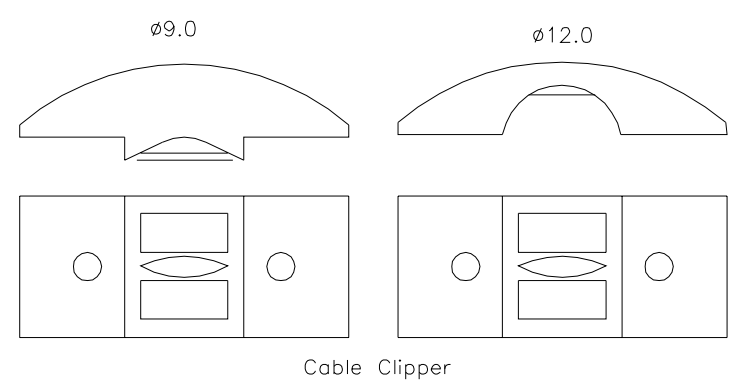
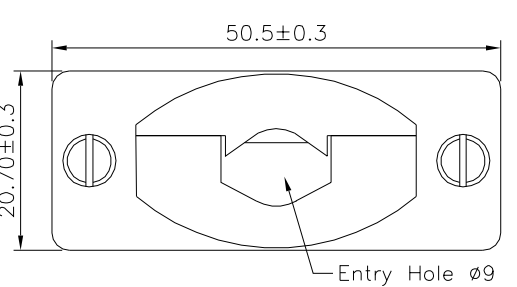
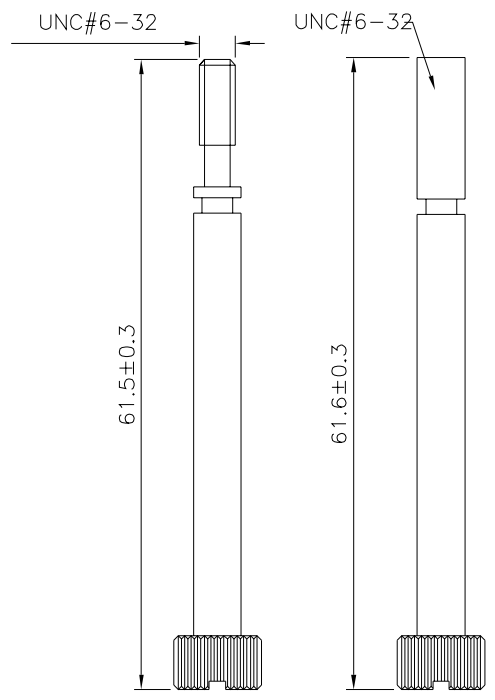
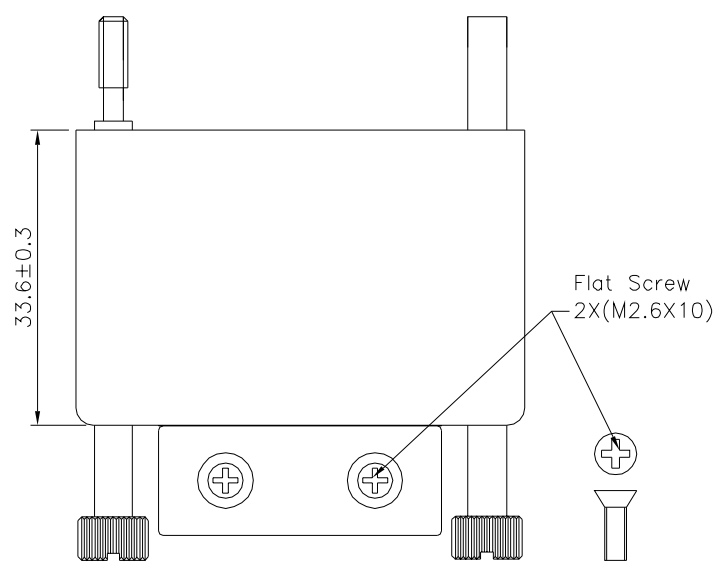
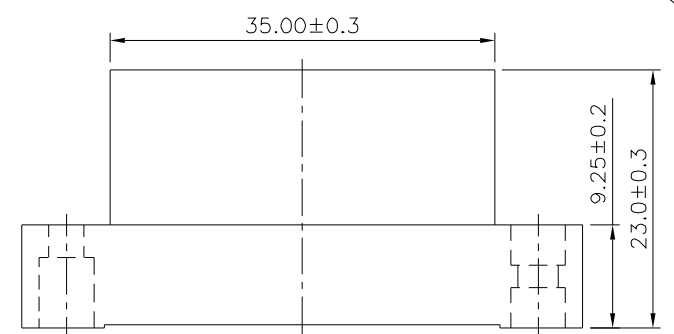
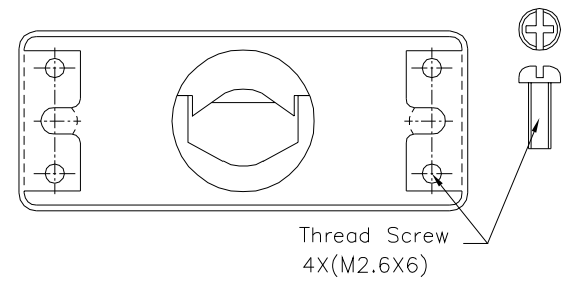
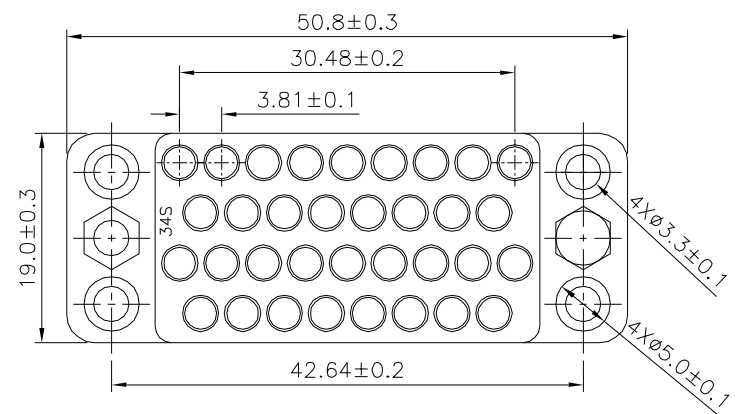


**SPECIFICATION**  
 Back Shell: Aluminum Alloy  
 Jackscrews: Steel, Nickel Plated Over Copper  
 Thread Screw: Steel, Nickel Plated Over Copper  
 Flat Screw: Steel, Nickel Plated Over Copper  
 Cable Clipper: PBT, Black  
 Housing: PBT (UL94V-0), Black  
 RoHS Compliant



Cable Clipper

**4UCON** 元化興業股份有限公司  
 4UCON TECHNOLOGY INC.

DRAWING No.		APPROVED BY		UNLESS OTHERWISE SPECIFIED TOLERANCES ARE .X ±0.38 .XX ±0.25 ANG.
05574		MEI		
		HZF		
		DRAWING BY		
		CYP		
SCALE	NONE	REV.	A0	UNIT mm

NO.	REV.	NEW RELEASE	HZF	02/11/2020
		REVISIONS	CHK	DATE