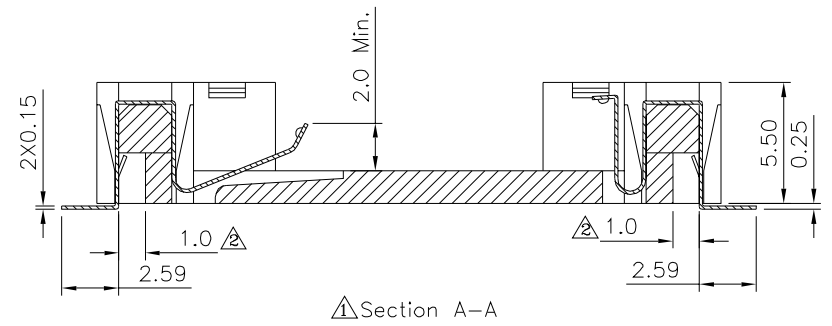


**△ SPECIFICATION**  
 Current Rating: 2A AC/DC  
 Voltage Rating: 500V AC/DC  
 Contact Resistance: 20 Milliohms Max. Before Test  
 Or 40 Milliohms After Test  
 Insulation Resistance: 500 Megaohms Min. At 500V DC  
 Dielectric Withstanding Voltage: 500V AC/Minute  
 Temperature Range: -55°C To +85°C  
 Applicable: Battery CR2032  
 Insulator: LCP+30%G.F.(UL94V-0), White  
 Contact: Phosphor Bronze, Gold Flash Over All,  
 Over Nickel  
 RoHS Compliant



Recommended P.C.B. Layout

**4UCON** 元化興業股份有限公司  
 4UCON TECHNOLOGY INC.

DRAWING No.		APPROVED BY		UNLESS OTHERWISE SPECIFIED TOLERANCES ARE .X ±0.30 .XX ±0.20 .XXX ±0.10 ANG. ±3°
05580		EMILY		
		CHECKED BY		
HZF		DRAWING BY		
CYP		B2		UNIT
SCALE	NONE	REV.	B2	mm

NO.	REV.	REVISIONS	CHK	DATE
△ B2		Modify Data	HZF	01/10/2020
△ B1		Modify Data	HZF	03/31/2015
△ B0		NEW RELEASE	HZF	05/07/2013