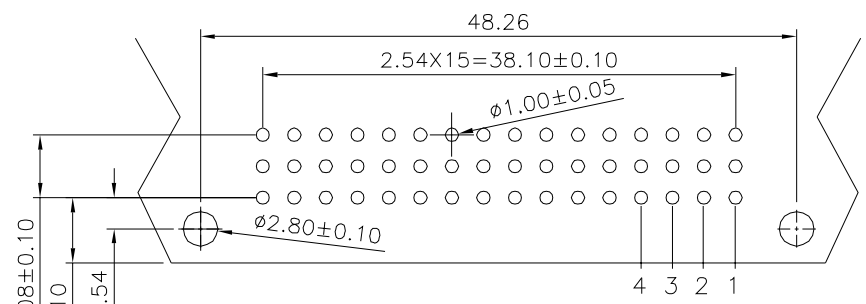
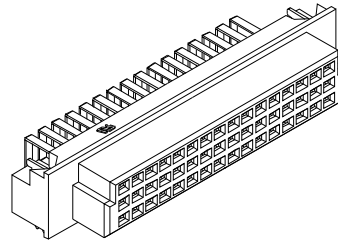


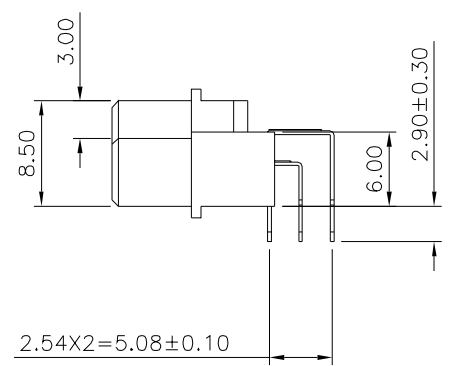
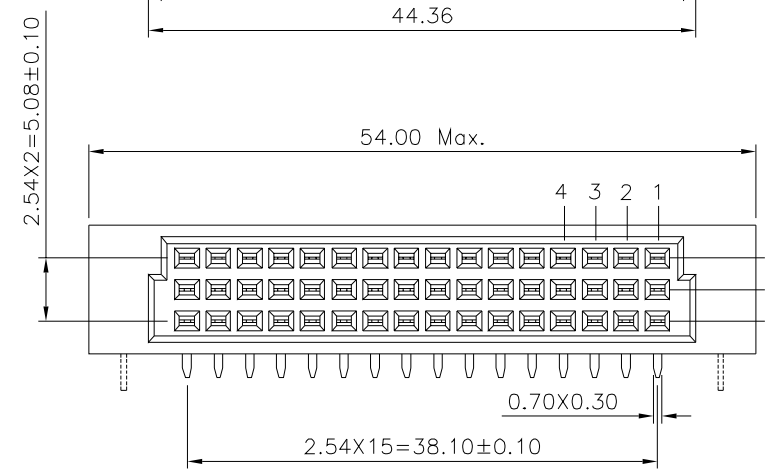
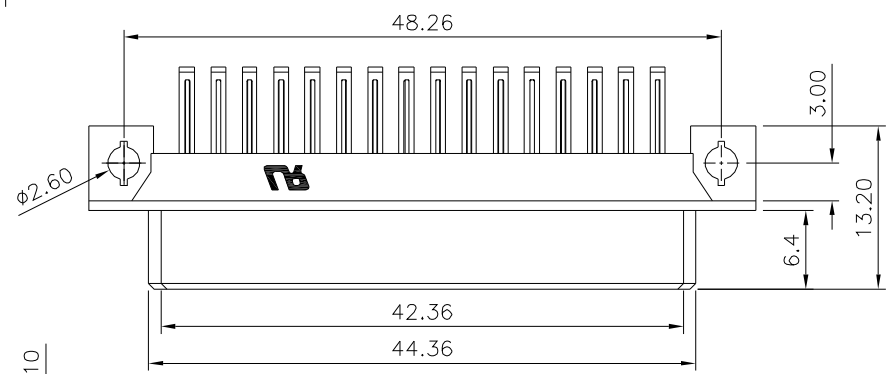
**△ SPECIFICATION**  
 Current Rating: 2 Amp  
 Dielectric Withstanding Voltage: 1000V AC For 1 Minute  
 Insulation Resistance: 1000 Megaohms Min. At 500V DC  
 Contact Resistance: 20 Milliohms Max. At 100mA DC  
 Operation Temperature: -55°C ~ +125°C  
 △ Housing: PBT (UL94V-0), Beige  
 Contacts: Phosphor Bronze, Gold Plated On Contact Area,  
 Tin Plated On Solder Tails, Over Nickel △  
 Boardlock: Phosphor Bronze, Nickel Plated  
 RoHS Compliant



Recommended P.C.B. Layout

(1) 16: Pin/Row, Full Pin (Pitch=2.54mm)  
 8: Pin/Row, Removed Odd Pin (Pitch=5.08mm)

△ (2) Boardlock Options (Standard W/O Boardlock)



Pitch	Position	Rows With Contacts	Contact Arrange
5.08mm	8	a - -	<pre>                     + + + +                     + + + +                     ■ + ■ +                     4 3 2 1                 </pre>
	16	a - c	<pre>                     ■ + ■ +                     + + + +                     ■ + ■ +                     4 3 2 1                 </pre>
	24	a b c	<pre>                     ■ + ■ +                     ■ + ■ +                     ■ + ■ +                     4 3 2 1                 </pre>
2.54mm	16	a - -	<pre>                     + + + +                     + + + +                     ■ ■ ■ ■                     4 3 2 1                 </pre>
	32	a - c	<pre>                     ■ + ■ +                     + + + +                     ■ ■ ■ ■                     4 3 2 1                 </pre>
	48	a b c	<pre>                     ■ ■ ■ ■                     ■ + ■ +                     ■ ■ ■ ■                     4 3 2 1                 </pre>

**4UCON** 元化興業股份有限公司  
 4UCON TECHNOLOGY INC.

DRAWING No. △		APPROVED BY		UNLESS OTHERWISE SPECIFIED TOLERANCES ARE X. ±0.5 .X ±0.25 .XX ±0.15
05645		MEI		
		CHECKED BY HZF		
SCALE NONE		DRAWING BY CYP		UNIT mm
REV. B3				

NO.	REV.	REVISIONS	CHK	DATE
△3	B3	Modify Data	HZF	01/24/2021
△2	B2	Modify Data	HZF	05/24/2018
△1	B1	Modify Data	HZF	09/04/2013
△0	B0	NEW RELEASE	HZF	08/20/2009