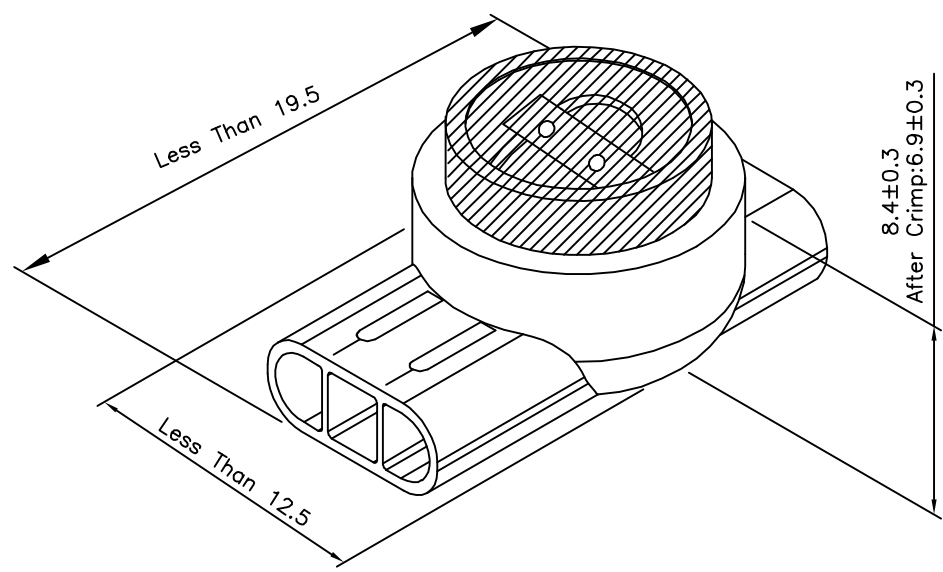


△ SPECIFICATION

Insulation O.D.:2.08 Max.
 Cable Type PIC-Unfilled And PIC Filled
 AWG:19~26(Metric:0.9~0.4mm)
 Cable Type:Pulp Or Paper
 AWG:19~26(Metric:0.9~0.4mm)
 RoHS Compliant



4UCON 元化興業股份有限公司
 4UCON TECHNOLOGY INC.

DRAWING No.		APPROVED BY		UNLESS OTHERWISE SPECIFIED TOLERANCES ARE .X ±0.38 .XX ±0.25 ANG.
05655		EMILY		
		CHECKED BY HZF		
DRAWING BY		GAO		
SCALE	NONE	REV.	A1	UNIT mm

NO.	REV.	REVISIONS	CHK	DATE
△ A1		Modify Spec.	HZF	09/19/2012
△ A0		NEW RELEASE	BECKY	10/20/2005