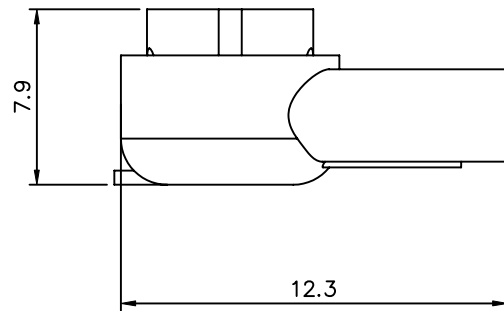
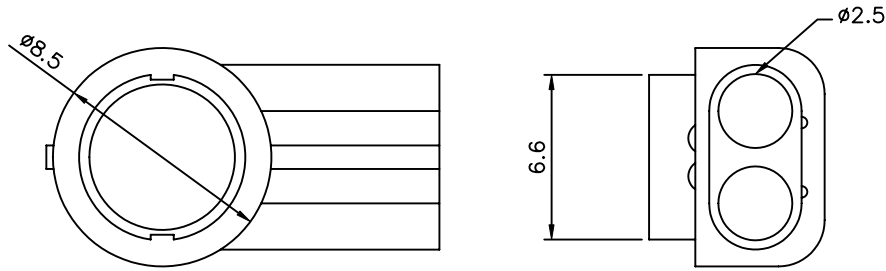
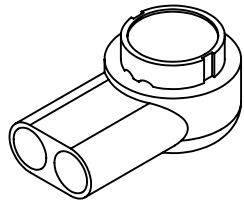


SPECIFICATION

Insulation O.D.: 1.52 Max.
 Cable Type PIC-Unfilled And PIC Filled
 AWG: 22~26(Metric: 0.7~0.4mm)
 Cable Type: Pulp Or Paper
 AWG: 22~26(Metric: 0.7~0.4mm)
 Ordering Information: Splicing Connector
 100Pcs/Small Box, 1000Pcs/Box, 10000Pcs/Cts
 Gross(Net)Weight(Kg): 6.5(4.5)
 Packing Size: 33x26x25cm
 RoHS Compliant

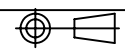


4UCON 元化興業股份有限公司
 4UCON TECHNOLOGY INC.

DRAWING No.
 05656

APPROVED BY
 MEI
 CHECKED BY
 BECKY
 DRAWING BY
 HZF

UNLESS OTHERWISE SPECIFIED TOLERANCES ARE
 .X ±0.38
 .XX ±0.25
 ANG.
 UNIT
 mm



NO.	REV.	REVISIONS	CHK	DATE
△ A1		Modify Dim.	SHIN	04/13/2007
△ A0		NEW RELEASE	BECKY	10/20/2005

SCALE NONE REV. A1