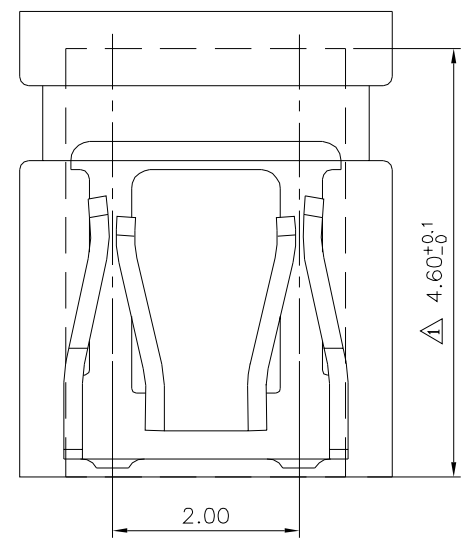
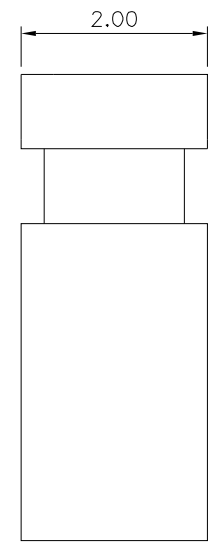
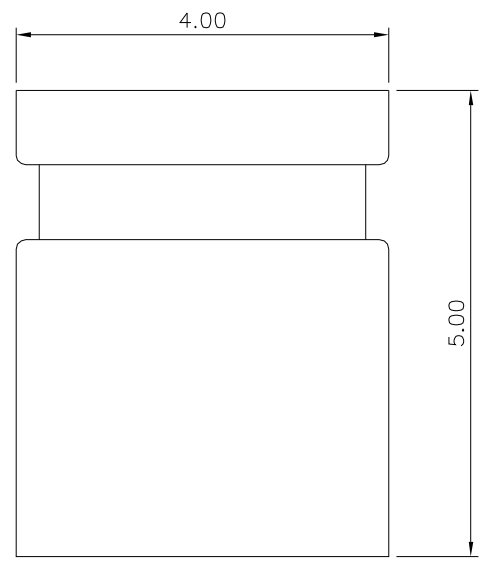


**SPECIFICATION**

- ⚠ Current Rating:3 Amp
- Withstand Voltage:500V AC For One Minute
- Contact Resistance:20 Milliohms Max. At DC 100mA
- Insulation Resistance:5000 Megaohms Min. At DC 500V
- Operation Temperature:-55°C~+105°C
- ⚠ Insulator:PBT+30%G.F.(UL94V-0),Black
- Contact:Phosphor Bronze,Gold Flash Over Nickel
- RoHS Compliant



**4UCON** 元化興業股份有限公司  
4UCON TECHNOLOGY INC.

DRAWING No.		APPROVED BY		UNLESS OTHERWISE SPECIFIED TOLERANCES ARE .X ±0.30 .XX ±0.20 ANG. ±3°
05724		MEI		
		CHECKED BY HZF		
DRAWING BY		CYP		UNIT mm
SCALE	NONE	REV.	A1	

NO.	REV.	REVISIONS	CHK	DATE
⚠ A1		Modify Data	HZF	12/04/2019
⚠ A0		NEW RELEASE	HZF	04/16/2013