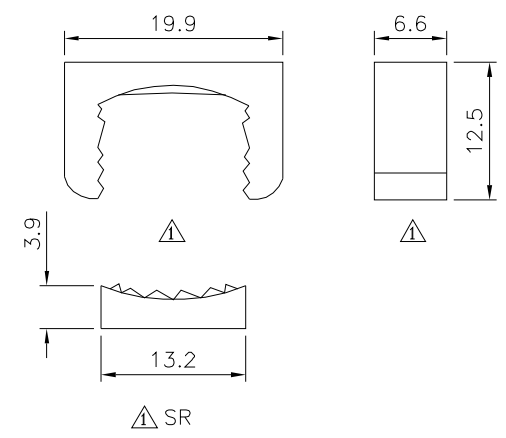
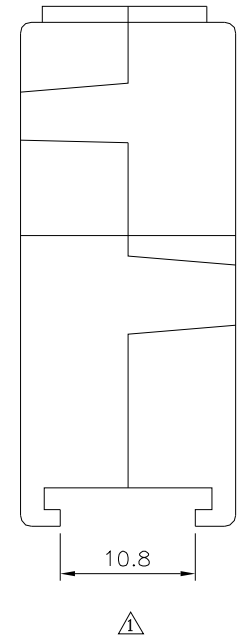
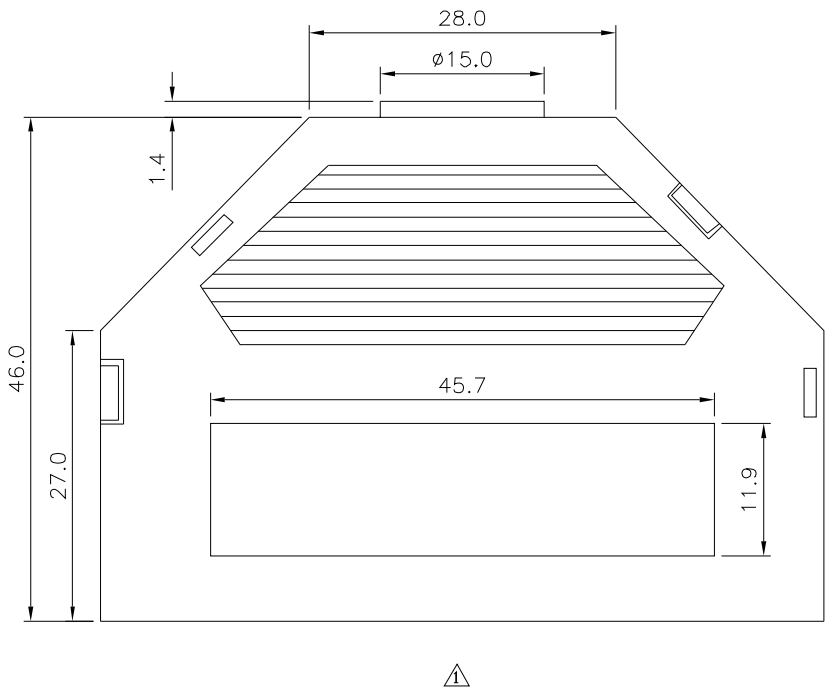
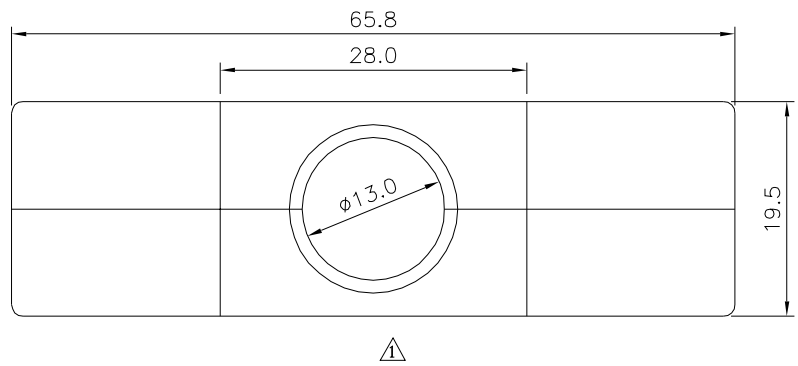


SPECIFICATION
 Insulator:ABS(UL94-HB),Gray
 RoHS Compliant



4UCON 元化興業股份有限公司
 4UCON TECHNOLOGY INC.

DRAWING No. \triangle		APPROVED BY EMILY	
05768		CHECKED BY HZF	
SCALE NONE		DRAWING BY SONG	
REV.	A1	UNIT	mm

UNLESS OTHERWISE SPECIFIED TOLERANCES ARE
 \triangle X. ± 0.5
 .X ± 0.3
 .XX ± 0.2
 ANG. $\pm 5^\circ$

NO.	REV.	REVISIONS	CHK	DATE
\triangle	A1	Modify Data	HZF	07/03/2013
\triangle	A0	NEW RELEASE	SHIN	05/08/2006