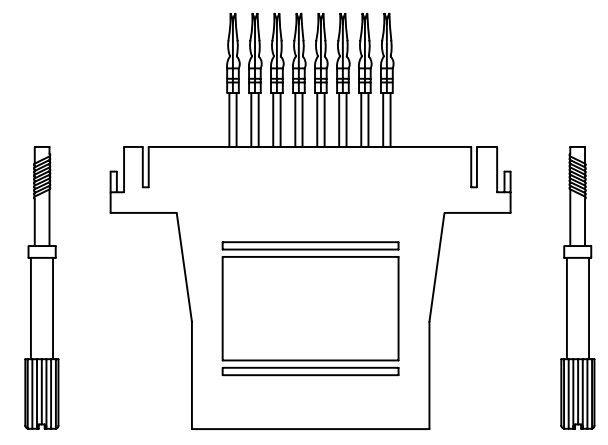
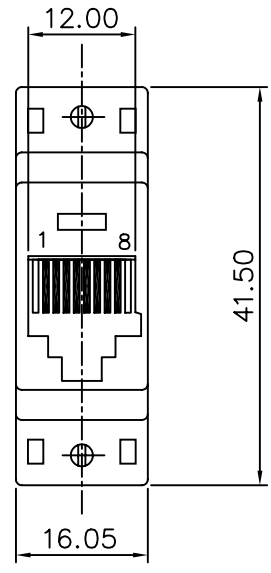
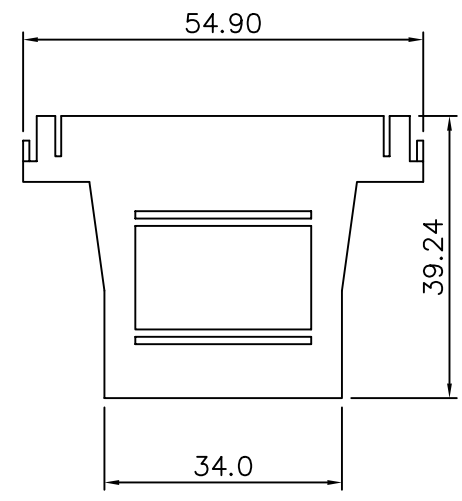
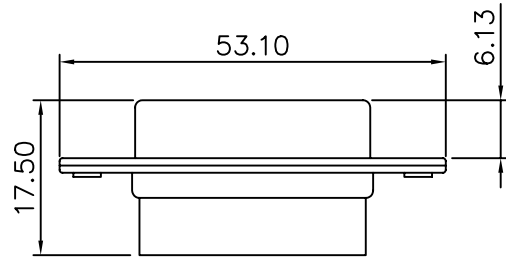


SPECIFICATIONS
 Plastic:ABS
 Screw:4-40 Nickel Plating
 Thumb Screw
 Lead Wire:UL 1061,26 AWG,7 strand
 Terminal:Copper,Gold Plating



4UCON 元化興業股份有限公司
 4UCON TECHNOLOGY INC.

DRAWING No.		APPROVED BY		UNLESS OTHERWISE SPECIFIED TOLERANCES ARE .X .XX AWG.
06010		MEI		
		RAN		
		DRAWING BY		UNIT mm
		HZF		
SCALE	NONE	REV.	A	

AREA	REVISIONS	CHK	DATE