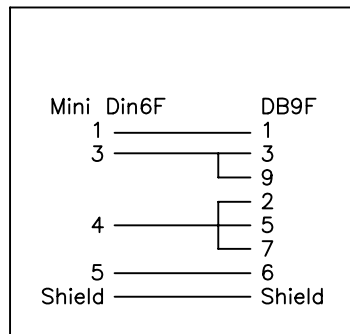
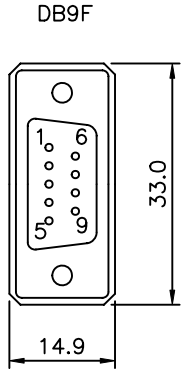
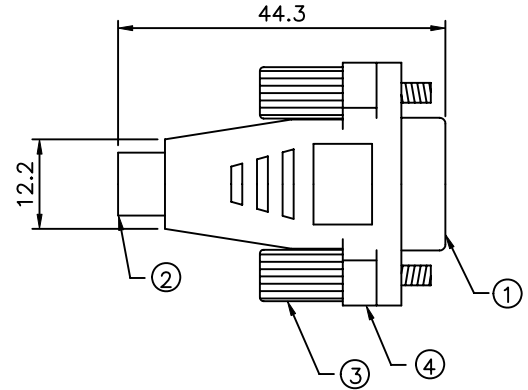
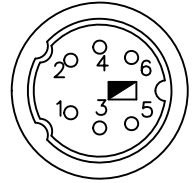


Mini Din6F



Mini Din6F



RoHS Compliant

Item	Q'ty	Description
1	1	DB9 Female,Gold Flash On Contacts, Blue Insulator
2	1	Mini Din6 Female,Black Insulator
3	2	Molded Thumbscrew Grey Ø4-40, Length 21.5mm
4		Molded PVC Grey

**4UCON** 元化興業股份有限公司  
4UCON TECHNOLOGY INC.

DRAWING No. 06051

APPROVED BY MEI  
CHECKED BY HZF  
DRAWING BY LXX

UNLESS OTHERWISE SPECIFIED TOLERANCES ARE  
.X ±0.38  
.XX ±0.25  
ANG.

SCALE NONE

REV. A0

UNIT mm



NO.	REV.	DESCRIPTION	CHK	DATE
△ A0		NEW RELEASE	HZF	04/13/2008