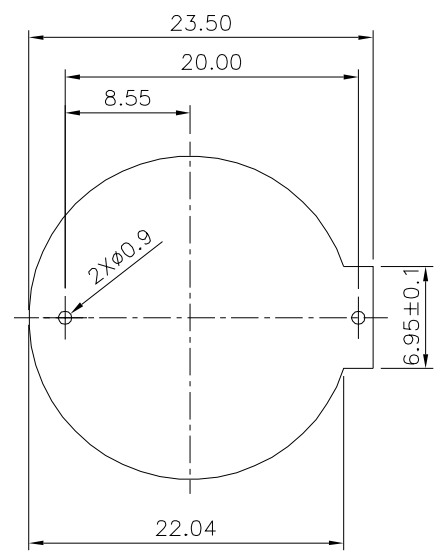
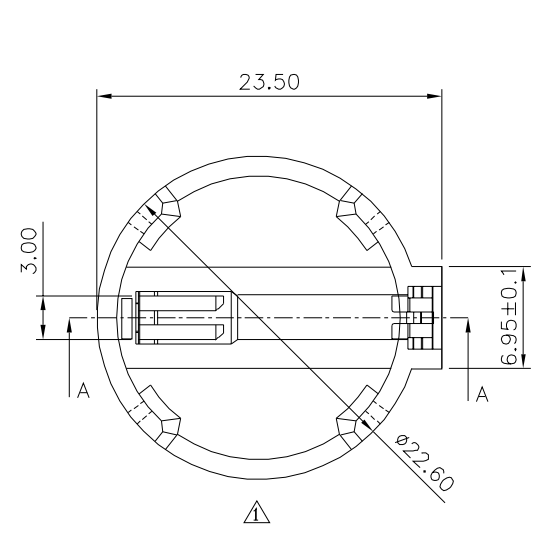
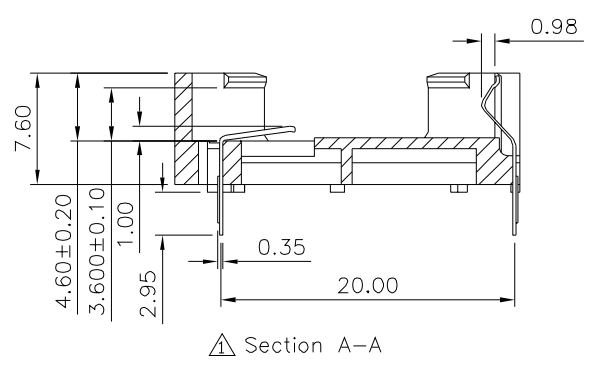


**△△ SPECIFICATION**  
 Current Rating:2A AC/DC  
 Voltage Rating:500V AC/DC  
 Contact Resistance:20 Milliohms Max.  
 After Test:40 Milliohms Max.  
 Insulation Resistance:500 Megaohms Min  
 At 500V DC For 2 Minute  
 Dielectric Strength:500V AC For 1 Minute  
**△** Temperature Range:-40°C~+85°C  
 Housing:PA66(UL94V-0),Black  
 Contact:Phosphor Bronze,Tin Plated Over Nickel  
 Applicable:Battery CR2032  
 RoHS Compliant



Recommended P.C.B. Layout



△ Section A-A

**4UCON** 元化興業股份有限公司  
 4UCON TECHNOLOGY INC.

DRAWING No. <b>06076</b>		APPROVED BY Jason Wu	UNLESS OTHERWISE SPECIFIED TOLERANCES ARE .X ±0.25 .XX ±0.20 .XXX ±0.10 ANG. ±2°		
		CHECKED BY Leo Han			
		DRAWING BY Michelle Lee			
SCALE	NONE	REV.	A3	UNIT mm	

NO.	REV.	REVISIONS	CHK	DATE
△3	A3	Modify Data	HZF	04/14/2026
△2	A2	Modify Data	HZF	01/17/2017
△1	A1	Modify Data	HZF	11/22/2011
△0	A0	NEW RELEASE	HZF	10/14/2007