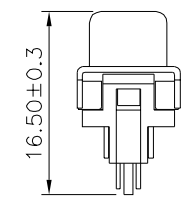
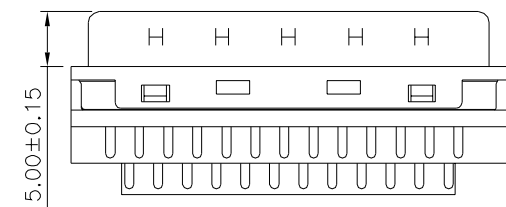
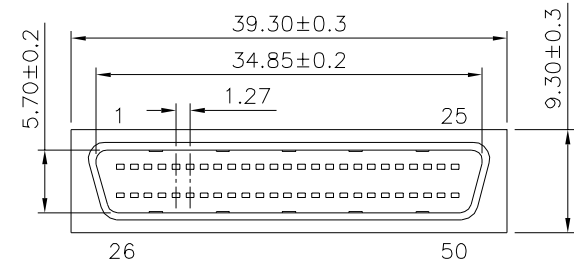
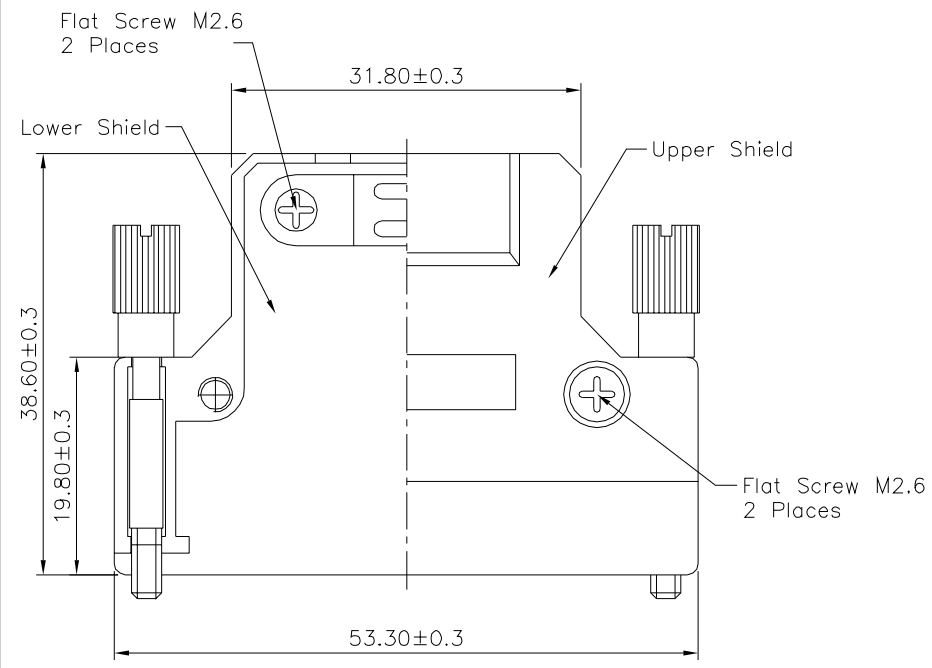
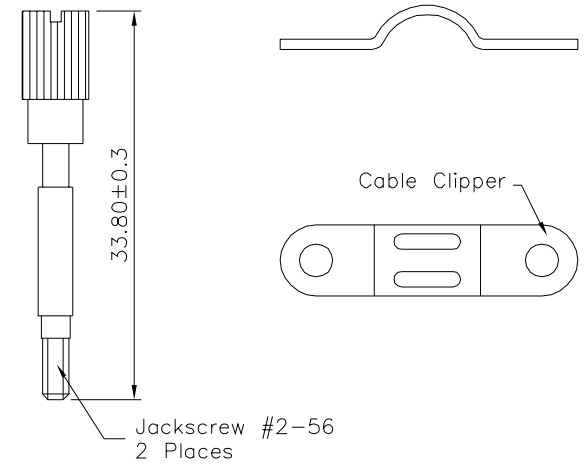
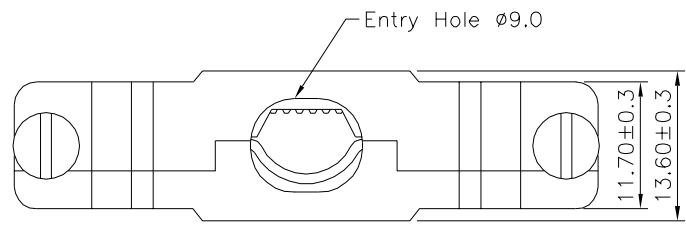


△ SPECIFICATION
 Current Rating:0.5 Amp
 Dielectric Withstanding Voltage:500V AC
 Contact Resistance:35 Milliohms Max.
 Insulation Resistance:>500 Megaohms Min.
 Operation Temperature:-55°C~+85°C
 Housing:PBT,UL94V-0,Black
 Contact:Phosphor Bronze,Selective Gold Plated
 5u" Over Nickel
 Front Shell:Steel,Nickel Plated Over Copper
 Back Shell:Zinc Alloy,Nickel Plated Over Copper
 Flat Screws:Steel,Nickel Plated Over Copper
 Cable Clipper:Steel,Nickel Plated Over Copper
 Jackscrews:Steel,Nickel Plated Over Copper
 RoHS Compliant



4UCON 元化興業股份有限公司
 4UCON TECHNOLOGY INC.

DRAWING No.		APPROVED BY		UNLESS OTHERWISE SPECIFIED TOLERANCES ARE .X ± 0.38 .XX ± 0.25 ANG.
06104		MEI		
		HZF		
		DRAWING BY		UNIT mm
		SONG		
SCALE	NONE	REV.	A1	

NO.	REV.	REVISIONS	CHK	DATE
△ A1		Modify Data	HZF	03/18/2013
△ A0		NEW RELEASE		