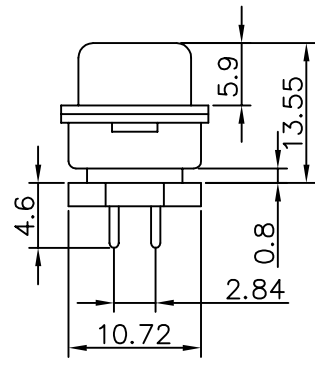
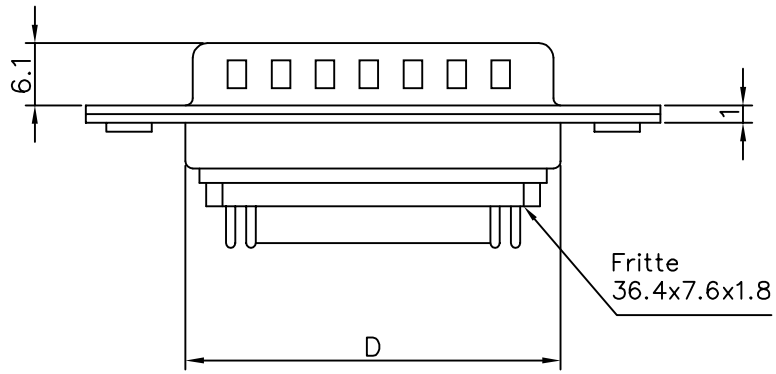


SPECIFICATIONS

Current Rating: 5A
 Insulation Resistance: 1000M Ohms
 Contact Resistance: 30m Ohms Max.At 100mA
 Voltage Rating: 1000V Ac For 1 Minute
 Operating Temperature: $-55^{\circ}\text{C} \sim +105^{\circ}\text{C}$
 Insulator: PBT+30% Glass Fiber (UL94V-0)
 Contact: Brass Or Phosphor Bronze



Position	A	B	C	D
9	16.92	24.99	30.81	19.20
15	25.25	33.62	39.14	27.51
19	32.90	39.03	44.80	33.02
23	38.50	44.36	50.30	38.15
25	38.96	47.04	53.04	41.30
37	55.42	63.50	69.32	57.71
50	52.86	61.11	66.90	55.30

4UCON 元化興業股份有限公司
 4UCON TECHNOLOGY INC.

DRAWING No.
 06145

APPROVED BY MEI
 CHECKED BY RAN
 DRAWING BY HZF

UNLESS OTHERWISE SPECIFIED TOLERANCES ARE
 .X ± 0.38
 .XX ± 0.25
 ANG.
 UNIT mm

SCALE NONE REV. A

AREA REVISIONS CHK DATE