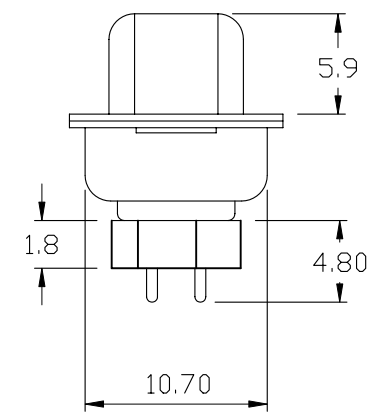
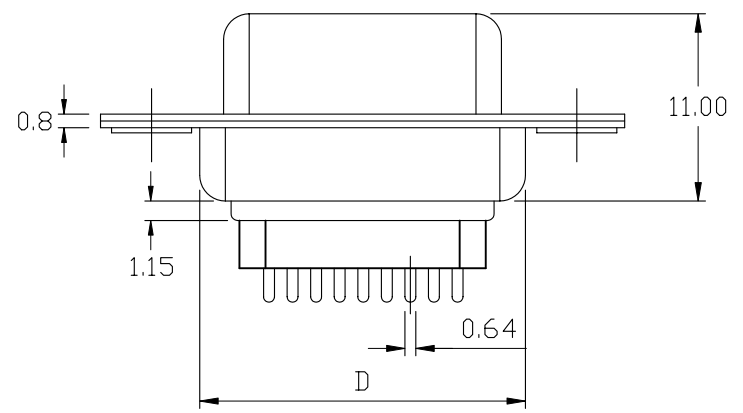
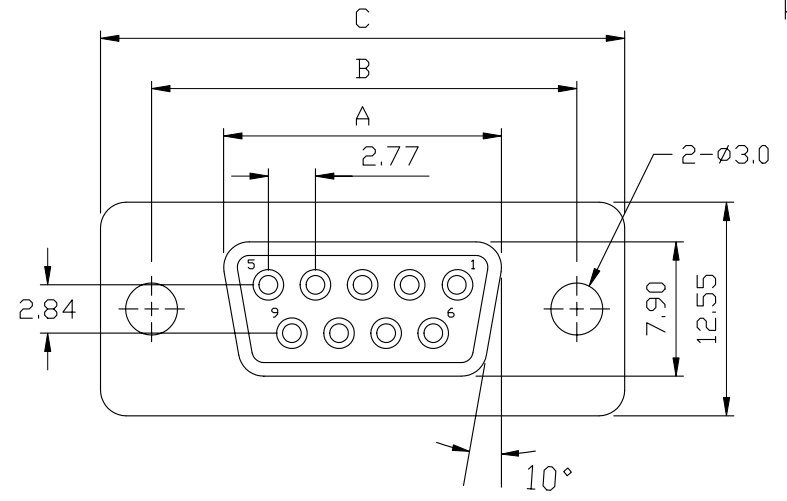


SPECIFICATION
 Current Rating:5 AMP
 Dielectric Withstanding Voltage:1000V
 For 1 Minute
 Insulator Resistance:1000Megaohms Min.
 At 500V DC
 Contact Resistance:15Millionms Max.10 SEC.
 Operating Resistance:-55°C To +105°C
 Insulator:PBT+30% Glass Filled (UL 94V-0)
 Contact Material:Brass
 Gold Over Nickel
 Shell Finish:Steel Tin Nickel Zinc Plated
 RoHS Compliant



Positions	A±0.20	B±0.25	C±0.30	D±0.20
9S	16.33	24.99	30.80	19.14
15S	24.66	33.32	39.10	27.47
25S	38.38	47.04	53.00	41.19
37S	54.84	63.50	69.32	57.65

4UCON 元化興業股份有限公司
 4UCON TECHNOLOGY INC.

DRAWING No.		APPROVED BY		UNLESS OTHERWISE SPECIFIED TOLERANCES ARE .X ±0.25 .XX ±0.15 .XXX ±0.05
06149		MEI		
		RAN		
		DRAWING BY		
		HZF		
SCALE	NONE	REV.	A0	UNIT mm

NO.	REV.	REVISIONS	CHK	DATE