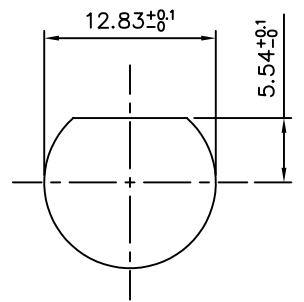
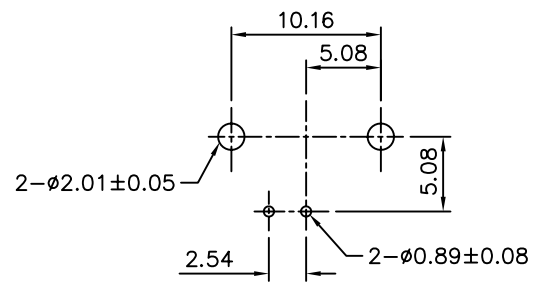


SPECIFICATIONS

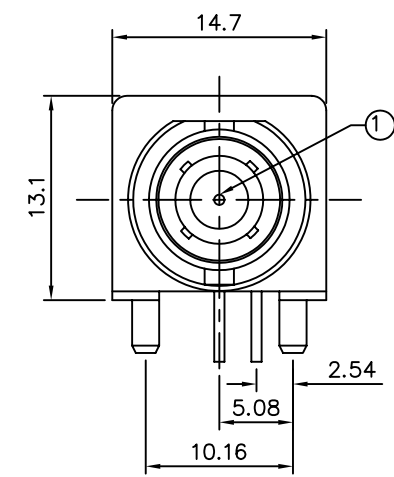
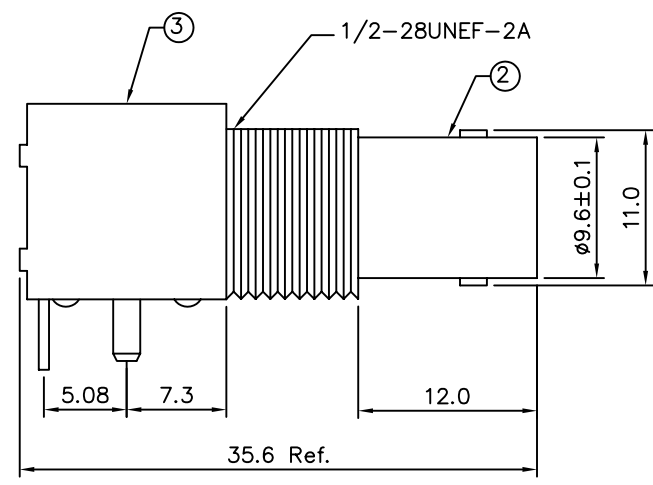
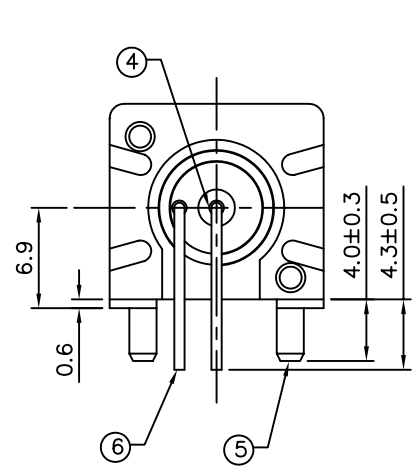
- 50 Ohms BNC R/A PCB Mount Jack
- 1.Center Contact:Bronze,Gold Plated
- 2.Body: Zinc Alloy,Nickel Plated
- 3.Housing: PBT(UL 94V-0),White
- 4.Insulator: PE-606
- 5.Mounting Post:Bronze,Tin Plated
- 6.Solder Tail: Copper Wire,Tin Plated



Recommended Mounting Hole
Max. Panel Thickness: 5.5mm



Recommended P.C.Board Layout
Without Mounting Posts



4UCON 元化興業股份有限公司
4UCON TECHNOLOGY INC.

DRAWING No.		APPROVED BY		UNLESS OTHERWISE SPECIFIED					
06543		MEI		TOLERANCES ARE					
		CHECKED BY		X. ±0.5					
		BECKY		.X ±0.3					
		DRAWING BY		.XX ±0.2					
		HZF		UNIT		△ BO	NEW RELEASE	BECKY	03/29/2006
SCALE	NONE	REV.	BO	mm	⊕	NO.REV.	REVISIONS	CHK	DATE