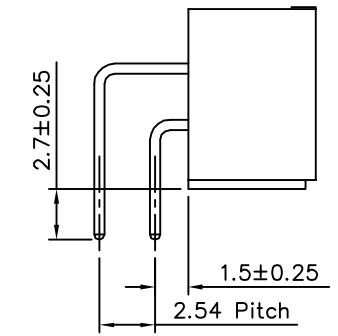
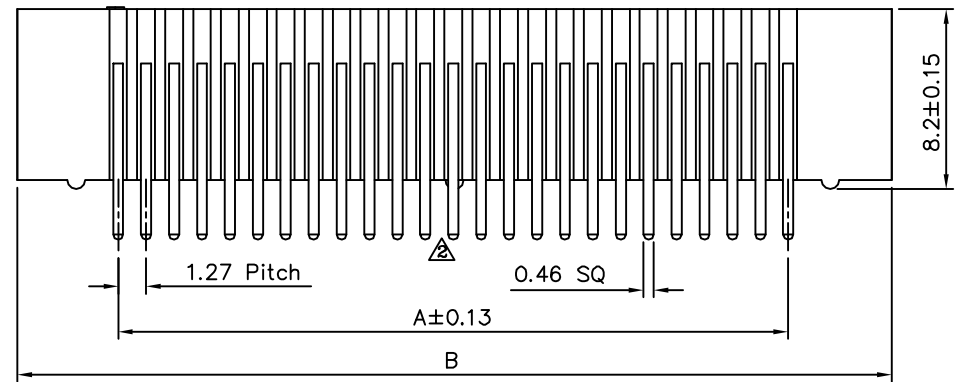
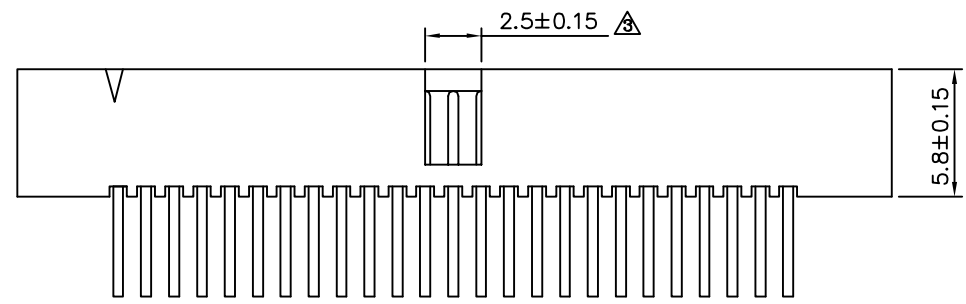


Recommended P.C.B. Layout

△△ SPECIFICATION
 Housing:PA6T
 Contact:Brass,Gold Flash Over Nickel
 RoHS Compliant



Circuits	A	B
08	3.81	13.10
10	5.08	14.37
20	11.43	20.72
26	15.24	24.53
30	17.78	27.07
34	20.32	29.61
40	24.13	33.42
44	26.67	35.96
50	30.48	39.77
60	36.83	46.12
68	41.91	51.20
80	49.53	58.82
100	62.23	71.52

4UCON 元化興業股份有限公司
 4UCON TECHNOLOGY INC.

DRAWING No. 06646
 APPROVED BY EMILY
 CHECKED BY HZF
 DRAWING BY HAO
 SCALE NONE REV. A3

UNLESS OTHERWISE SPECIFIED TOLERANCES ARE
 .X ±0.38
 .XX ±0.25
 ANG.

NO.	REV.	REVISIONS	CHK	DATE
△A3		Modify Data	HZF	09/22/2014
△A2		Modify Data	HZF	07/20/2012
△A1		Modify Data	HZF	07/24/2007
△A0		NEW RELEASE		