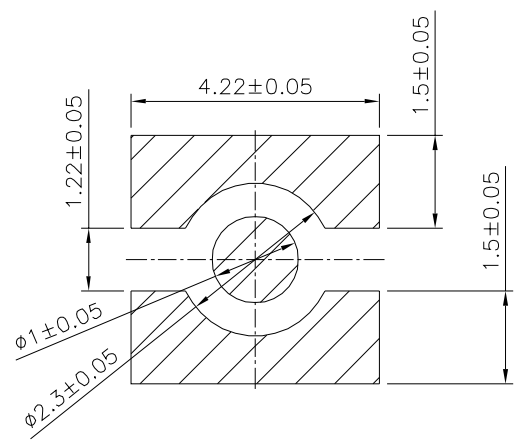
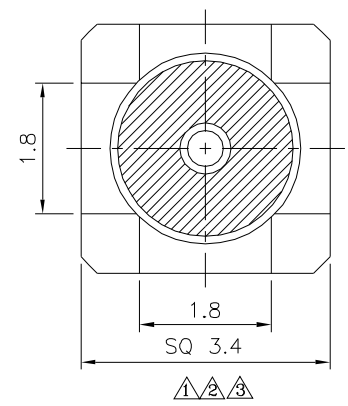
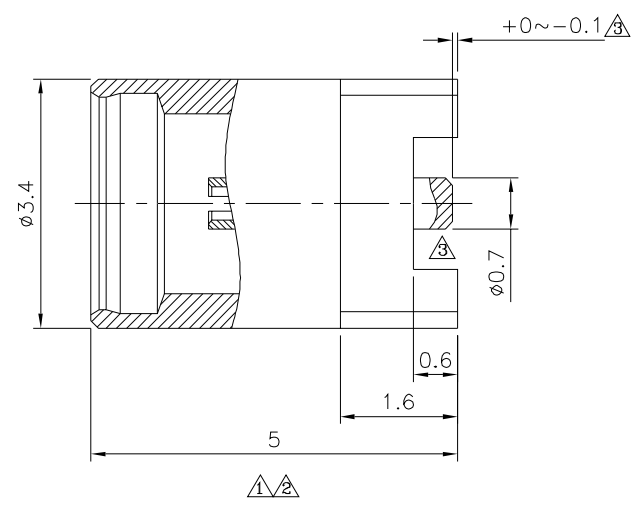


**△ SPECIFICATION**  
 Nominal Impedance: 50 Ohms  
 Frequency Range: DC 0~6GHz  
 VSWR: 1.3 Max.  
 RoHS Compliant



△ Recommended P.C.B. Layout

③	Center Pin	Beryllium Copper	1	Gold Plated Over Nickel
②	Insulator	Teflon	1	
①	Body	Brass	1	Gold Plated Over Nickel
No.	Description	Material	Q'ty	Remark

**4UCON** 元化興業股份有限公司  
 4UCON TECHNOLOGY INC.

DRAWING No. △		APPROVED BY		UNLESS OTHERWISE SPECIFIED TOLERANCES ARE X. ±0.1 .X ±0.1
07247		MEI		
		HZF		
		DRAWING BY		UNIT mm
		HAO		
SCALE	NONE	REV.	A3	NO. REV.

△ A3	Modify Data	HZF	12/20/2018
△ A2	Modify Data	HZF	03/23/2015
△ A1	Modify Data	HZF	03/23/2011
△ A0	NEW RELEASE	HZF	08/25/2007
NO. REV.	REVISIONS	CHK	DATE