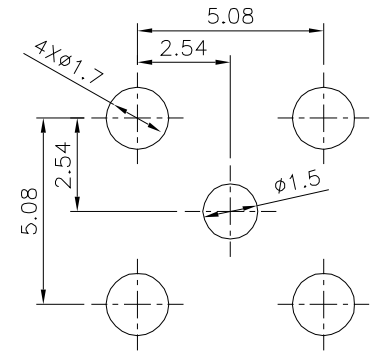
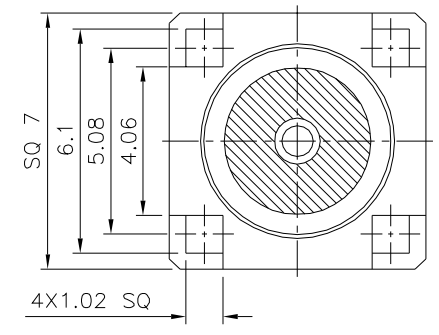
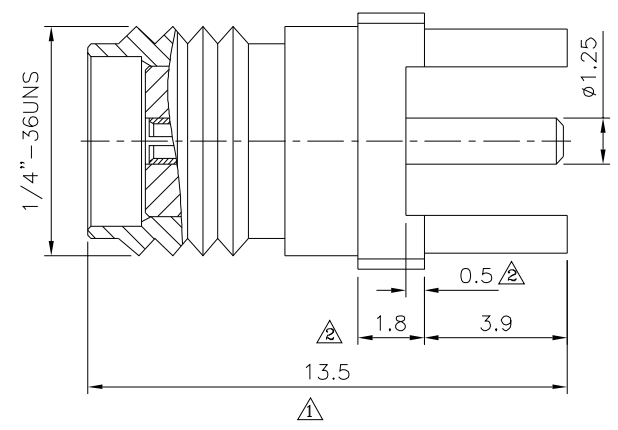


△ SPECIFICATION

Impedance: 50 Ohms
 Frequency Range: DC 0~18 GHz
 VSWR: 1.3 Max.
 RoHS Compliant



Recommended P.C.B. Layout



△ RoHS Compliant

No.	Description	Q'ty	Material	Remark
⑤	Press Washer	1	Brass	Gold Plated Over Nickel
④	Insulator	1	Teflon	
③	Center Pin	1	Phosphor Bronze	Gold Plated Over Nickel
②	Insulator	1	Teflon	
①	Body	1	Brass	Gold Plated Over Nickel

4UCON 元化興業股份有限公司
 4UCON TECHNOLOGY INC.

DRAWING No.		APPROVED BY		UNLESS OTHERWISE SPECIFIED TOLERANCES ARE △ X. ±0.1 .X ±0.1 .XX ±0.1
07260		MEI		
		CHECKED BY		
SCALE		REV.		UNIT
NONE		A2		mm

NO.	REV.	REVISIONS	CHK	DATE
△	A2	Modify Data	HZF	06/15/2019
△	A1	Modify Data	HZF	03/03/2014
△	A0	NEW RELEASE	HZF	10/19/2010