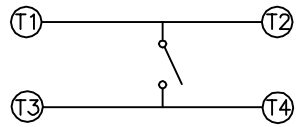
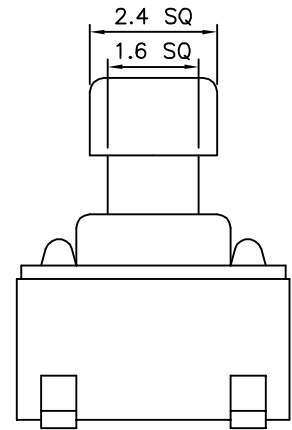
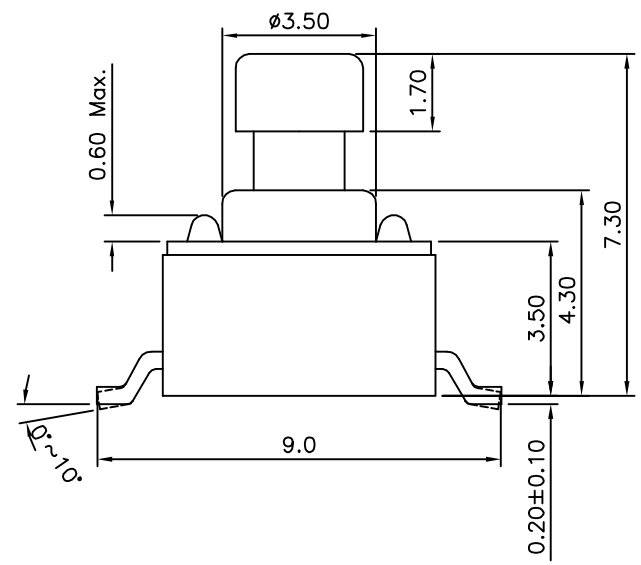
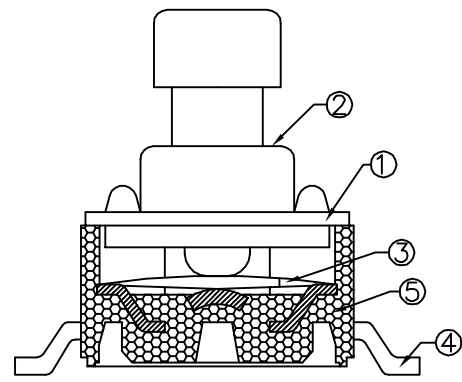


Recommended P.C.B. Layout

**SPECIFICATION**  
 Current Range:50mA 12V DC  
 Dielectric Withstanding Voltage:250V AC/Minute  
 Contact Resistance:100 Milliohms Max.  
 Insulation Resistance:100 Megaohms Min.  
 At 500V DC,60s±5s  
 Operation Temperature Range:-25°C~+70°C  
 Storage Temperature Range:-30°C~+80°C  
 RoHS Compliant



Circuit Diagram



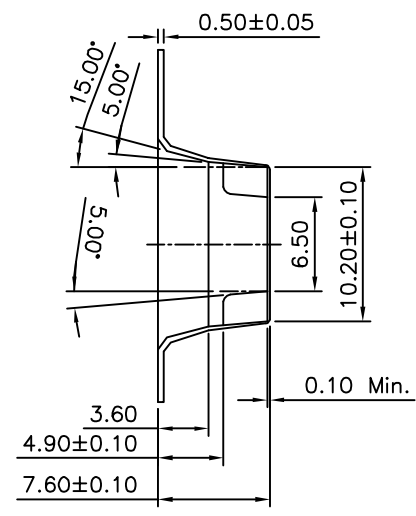
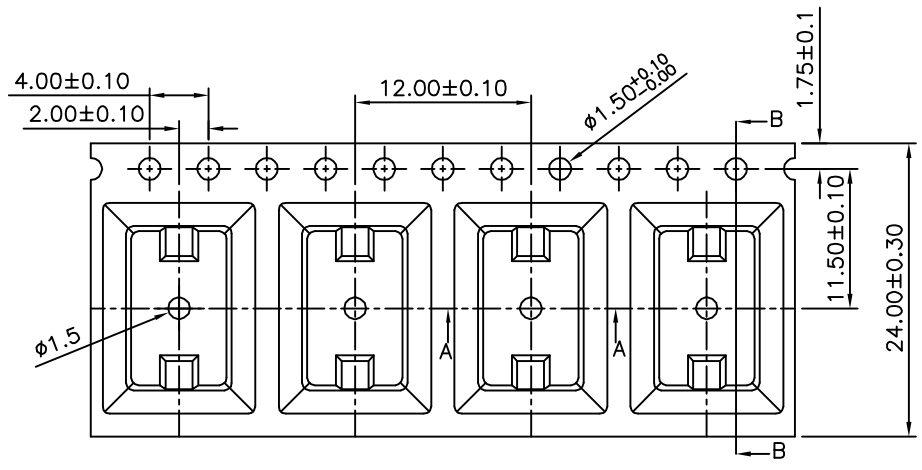
No.	Description	Q'ty	Material	Remark
①	Cover	1	Stainless Steel	None
②	Stem	1	PA	UL94V-0,Brown,180g
③	Contact	1	Phosphor Bronze	Silver Plated
④	Terminal	1	Brass	Silver Plated
⑤	Base	1	PA	(UL94V-0)

**4UCON** 元化興業股份有限公司  
 4UCON TECHNOLOGY INC.

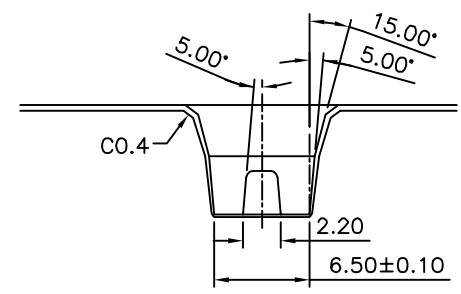
DRAWING No.		APPROVED BY		UNLESS OTHERWISE SPECIFIED TOLERANCES ARE .X ±0.20 .XX ±0.20
07591		MEI		
		CHECKED BY HZF		
		DRAWING BY CYP		
SCALE	NONE	REV.	A0	UNIT mm

△ A0	NEW RELEASE	HZF	02/11/2016
NO.REV.	REVISIONS	CHK	DATE

**SPECIFICATION**  
 Material:PS,Black  
 Q'ty:700 PCS/Reel



Section B-B



Section A-A

**4UCON**

元化興業股份有限公司  
 4UCON TECHNOLOGY INC.

DRAWING No.		APPROVED BY		UNLESS OTHERWISE SPECIFIED TOLERANCES ARE .X ±0.10 .XX ±0.10
07591		MEI		
		CHECKED BY		
SCALE		DRAWING BY		UNIT
NONE	REV.	CYP		
	A0	A0		

NO.	REV.	REVISIONS	CHK	DATE
△ A0		NEW RELEASE	HZF	08/11/2016