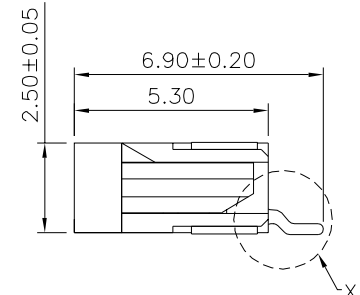
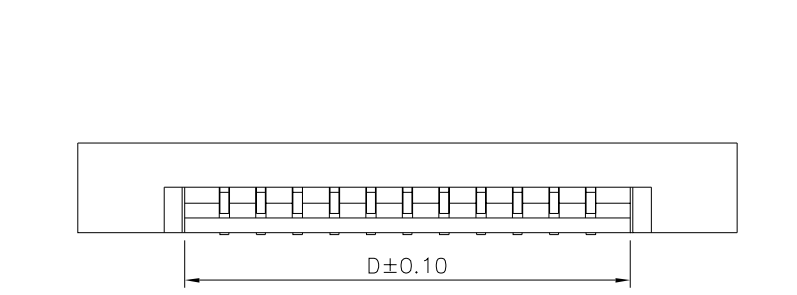
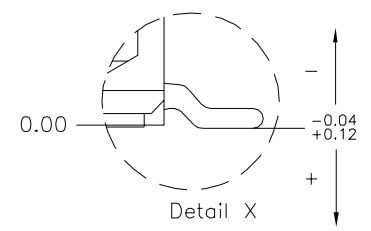
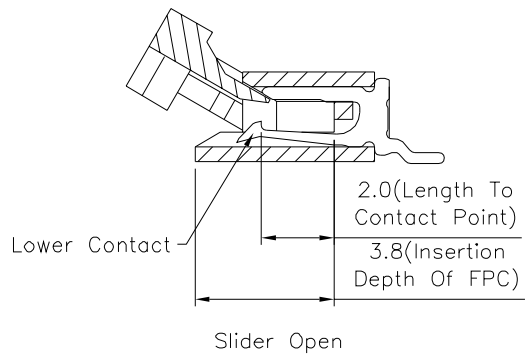
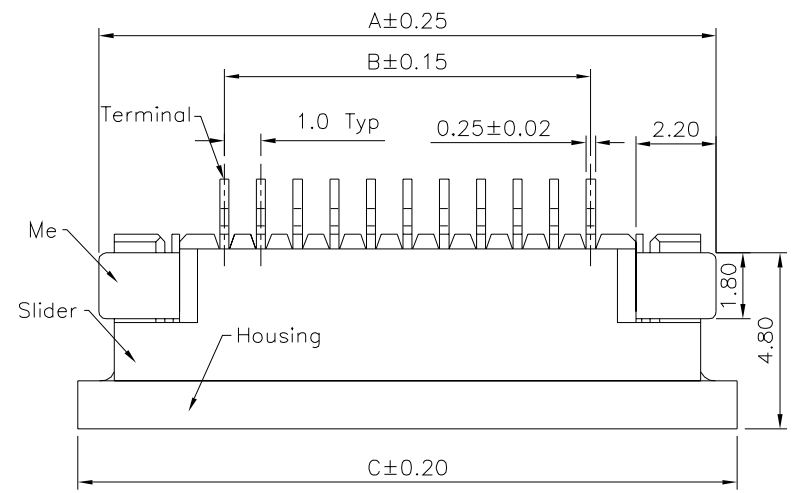


**SPECIFICATION**  
**1. Material & Finish**  
 Housing: PA9T(UL94V-0), Ivory  
 Silder: PPS(UL94V-0), Black  
 Terminal: Phosphor Bronze, Tin Plated Over Nickel  
 Me: Brass, Tin Plated Over Nickel  
**2. Electrical Characteristics**  
 Operating Voltage: 100V AC Max.  
 Current Rating: 0.5 Amp Max.  
 Contact Resistance: 30 Milliohms Max.  
 Insulation Resistance: 500 Megaohms Min.  
 Withstand Voltage: 500V AC RMS  
**3. Environmental Characteristics**  
 Operation Temperature: -40°C~+85°C  
 Processing Temperature: 260°C±5°C For 30s  
**4. RoHS Compliant**



Pin	A	B	C	D
*04	10.00	3.00	11.00	5.05
*05	11.00	4.00	12.00	6.05
*06	12.00	5.00	13.00	7.05
*07	13.00	6.00	14.00	8.05
*08	14.00	7.00	15.00	9.05
*09	15.00	8.00	16.00	10.05
*10	16.00	9.00	17.00	11.05
11	17.00	10.00	18.00	12.05
*12	18.00	11.00	19.00	13.05
13	19.00	12.00	20.00	14.05
14	20.00	13.00	21.00	15.05
*15	21.00	14.00	22.00	16.05
*16	22.00	15.00	23.00	17.05
17	23.00	16.00	24.00	18.05
*18	24.00	17.00	25.00	19.05
*19	25.00	18.00	26.00	20.05
20	26.00	19.00	27.00	21.05
21	27.00	20.00	28.00	22.05
*22	28.00	21.00	29.00	23.05
23	29.00	22.00	30.00	24.05
24	30.00	23.00	31.00	25.05
25	31.00	24.00	32.00	26.05
26	32.00	25.00	33.00	27.05
*27	33.00	26.00	34.00	28.05
28	34.00	27.00	35.00	29.05
29	35.00	28.00	36.00	30.05
*30	36.00	29.00	37.00	31.05
31	37.00	30.00	38.00	32.05
32	38.00	31.00	39.00	33.05
33	39.00	32.00	40.00	34.05
34	40.00	33.00	41.00	35.05

The Mark Of "\*" Are Reel Tooled Already

**4UCON** 元化興業股份有限公司  
4UCON TECHNOLOGY INC.

DRAWING No.		APPROVED BY		UNLESS OTHERWISE SPECIFIED TOLERANCES ARE
07625		MEI		
		CHECKED BY HZF		
SCALE		DRAWING BY		.XX ±0.25
NONE		CYP		
REV.	CO	UNIT	mm	

NO.	REV.	CO	NEW RELEASE	HZF	07/18/2019
			REVISIONS	CHK	DATE