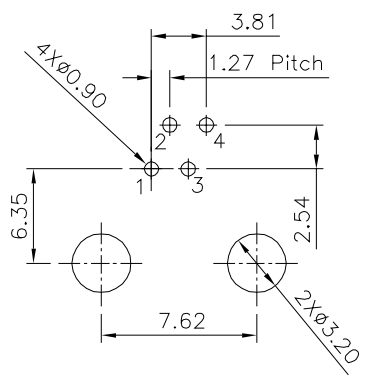
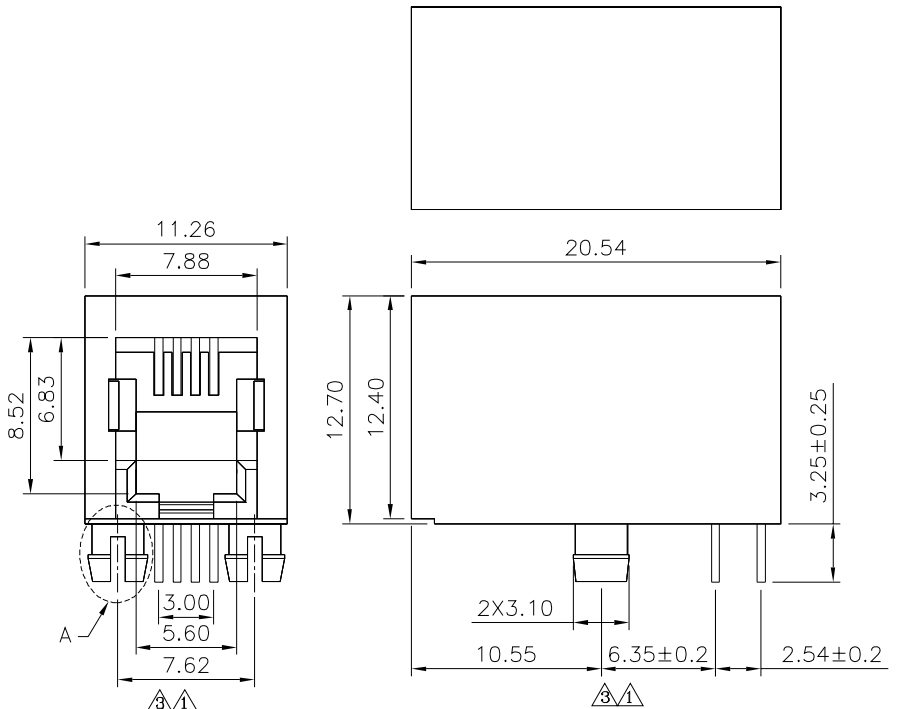
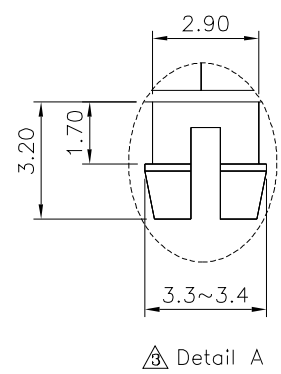
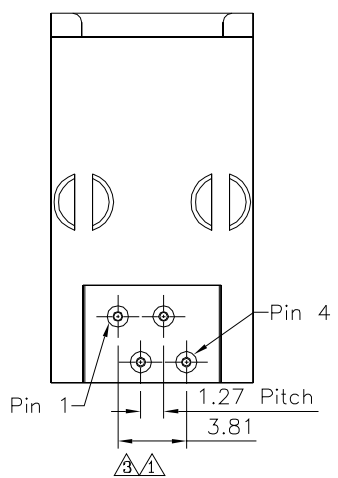


**△△△ SPECIFICATION**  
 Current Rating:1.5A Max.  
 Voltage Rating:150V AC Max.  
 Operating Temperature: -40°C~+85°C  
 Relative Humidity: 70% ±10%RH  
 Insulation Resistance:500 Megaohms Min. Initial  
 At 500V DC  
 Contact Resistance:20 Milliohms Max. Initial  
 30 Milliohms Max. Final  
 Durability:750 Cycles  
 Dielectric Withstanding Voltage:  
 1000V RMS. At 60Hz,1 Minute Between  
 Adjacent Contacts  
 1500V RMS. At 60Hz,1 Minute Between  
 Shield And Contacts  
 Housing:PBT+G.F.(UL94V-0),Black  
 Insert Housing:PBT+G.F.(UL94V-0),Black  
 Contact:Phosphor Bronze  
 Gold Plated 6u" Over All,Over Nickel  
 Cavity Conforms To FCC Rules And  
 Regulations Part 68,Subpart F.  
 RoHS Compliant



△△△ Recommended P.C.B. Layout(Top View)  
 Thickness=1.60mm(Tolerance:±0.05)



**4UCON** 元化興業股份有限公司  
 4UCON TECHNOLOGY INC.

DRAWING No. △△△  
 07830

APPROVED BY MEI  
 CHECKED BY HZF  
 DRAWING BY CYP

UNLESS OTHERWISE SPECIFIED TOLERANCES ARE  
 △ .X ±0.25  
 △△ .XX ±0.13  
 △△△ .XXX ±0.05

SCALE NONE

REV. A3

UNIT mm

NO.	REV.	REVISIONS	CHK	DATE
△	A3	Modify Data	HZF	03/03/2020
△	A2	Modify Data	HZF	10/24/2016
△	A1	Modify Data	HZF	05/15/2012
△	A0	NEW RELEASE		