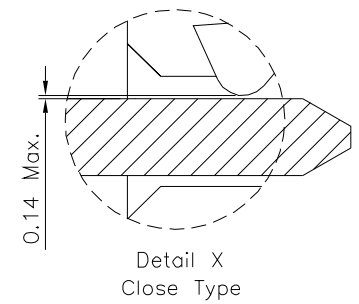
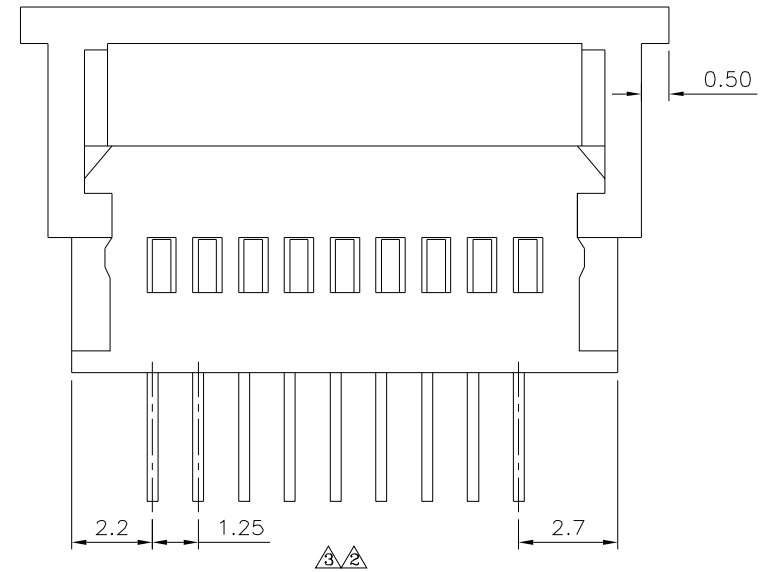
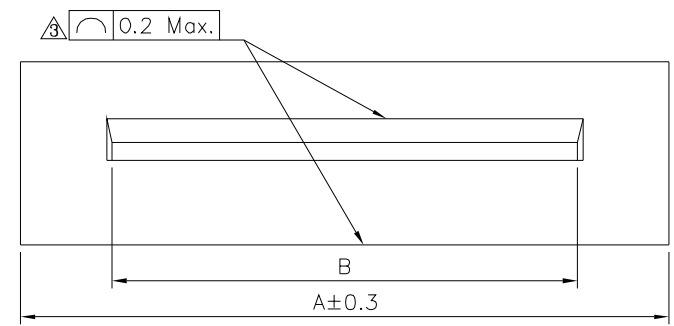
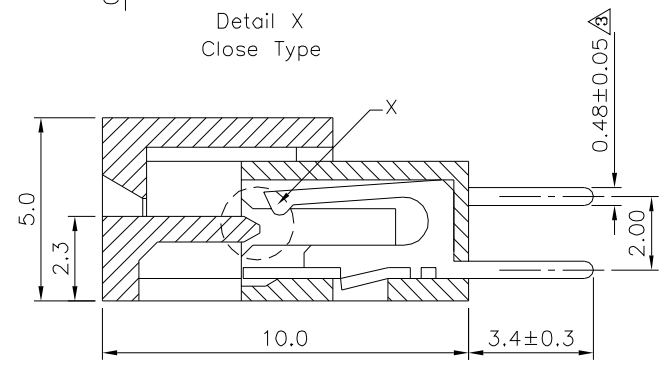


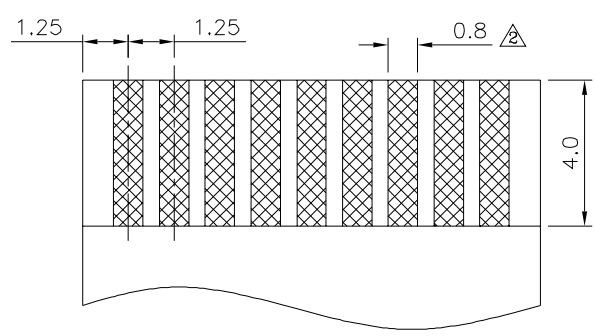
Recommended P.C.B. Layout(Component Side)



Detail X Close Type



Open Type



FFC/FPC Dimension  
Thickness:  $0.3 \pm 0.05$ mm

**SPECIFICATION**

1. General Characteristics:  
1.25mm FPC XXP DIP 180° ZIF Single Contact  
Reverse Layout White
2. Material & Finish:  
Housing: PBT(UL94V-0), White  
Terminal: Phosphor Bronze, Tin Plated Over Nickel
3. Electrical Characteristics:  
Current Rating: 1 Amp AC, DC  
Voltage Rating: 200V AC, DC  
Contact Resistance: 20 Milliohms Max.  
Insulation Resistance: 500 Megaohms Min.
4. Environmental Characteristics:  
Ambient Temperature Range:  $-20^{\circ}\text{C} \sim +85^{\circ}\text{C}$
5. RoHS Compliant

| Pin | A     | B     | Pin | A     | B     |
|-----|-------|-------|-----|-------|-------|
| 03  | 9.55  | 5.20  | 18  | 28.30 | 23.95 |
| 04  | 10.80 | 6.45  | 19  | 29.55 | 25.20 |
| 05  | 12.05 | 7.70  | 20  | 30.80 | 26.45 |
| 06  | 13.30 | 8.95  | 21  | 32.05 | 27.70 |
| 07  | 14.55 | 10.20 | 22  | 33.30 | 28.95 |
| 08  | 15.80 | 11.45 | 23  | 34.55 | 30.20 |
| 09  | 17.05 | 12.70 | 24  | 35.80 | 31.45 |
| 10  | 18.30 | 13.95 | 25  | 37.05 | 32.70 |
| 11  | 19.55 | 15.20 | 26  | 38.30 | 33.95 |
| 12  | 20.80 | 16.45 | 27  | 39.55 | 35.20 |
| 13  | 22.05 | 17.70 | 28  | 40.80 | 36.45 |
| 14  | 23.30 | 18.95 | 29  | 42.05 | 37.70 |
| 15  | 24.55 | 20.20 | 30  | 43.30 | 38.95 |
| 16  | 25.80 | 21.45 | 31  | 44.55 | 40.20 |
| 17  | 27.05 | 22.70 | 32  | 45.80 | 41.45 |

**4UCON** 元化興業股份有限公司  
4UCON TECHNOLOGY INC.

DRAWING No. 08787

APPROVED BY MEI  
CHECKED BY HZF  
DRAWING BY CYP

UNLESS OTHERWISE SPECIFIED TOLERANCES ARE  
.X  $\pm 0.30$   
.XX  $\pm 0.25$   
.XXX  $\pm 0.15$   
ANG.  $\pm 3^{\circ}$

| NO. | REV. | REVISIONS   | CHK   | DATE       |
|-----|------|-------------|-------|------------|
| A4  |      | Modify Data | HZF   | 08/08/2018 |
| A3  |      | Modify Data | HZF   | 03/25/2016 |
| A2  |      | Modify Data | HZF   | 10/08/2013 |
| A1  |      | Modify Data | HZF   | 03/26/2010 |
| A0  |      | NEW RELEASE | BECKY | 03/02/2006 |

SCALE NONE REV. A4

UNIT mm

