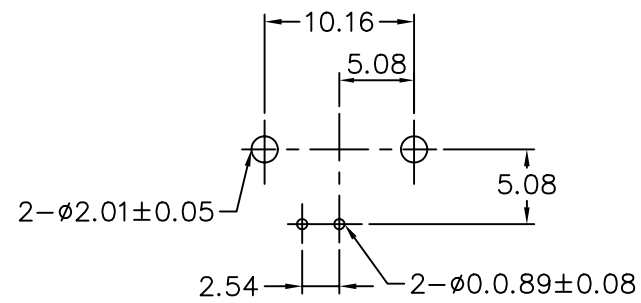


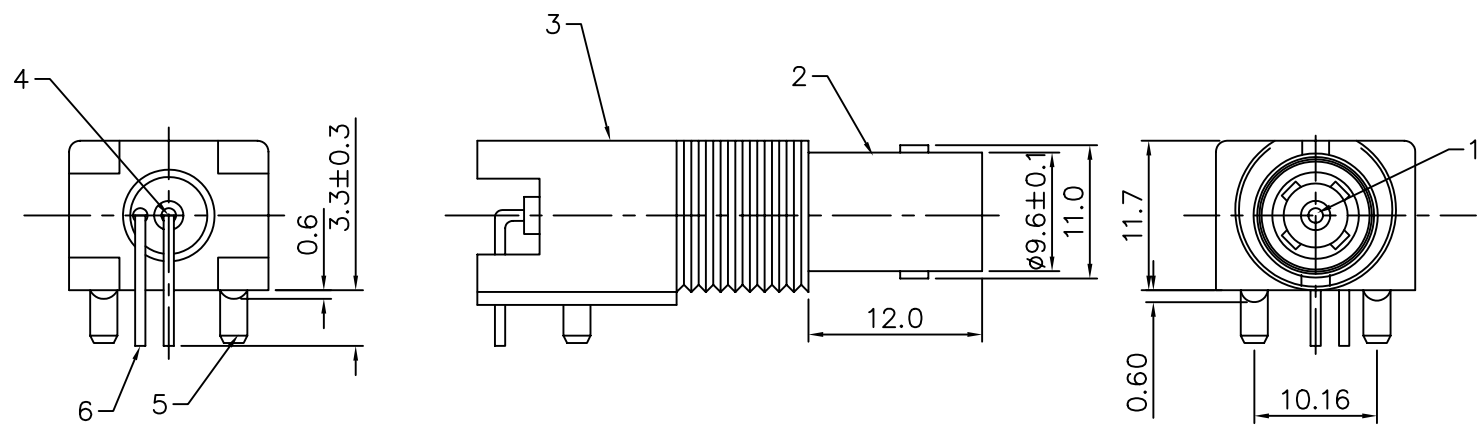
Recommended Mounting Hole
Max. Panel Thickness: 0.5mm



Recommended P.C. Board Layout
Without Mounting Posts

SPECIFICATIONS :

- 1.Center Contact: Bronze,Gold Plated
- 2.Body: Zinc Alloy,Nickel Plated
- 3.Housing: PBT(UL 94V-0)
- 4.Insulator: PE-606
- 5.Mounting Post: Bronze,Tin Lead Plated
- 6.Solder Tail: Cooper Wire,Tin Lead Plted



4UCON 元化興業股份有限公司
4UCON TECHNOLOGY INC.

DRAWING No.
08885

APPROVED BY MEI
CHECKED BY RAN
DRAWING BY HZF
REV. A

UNLESS OTHERWISE SPECIFIED TOLERANCES ARE
X. ±0.5
.X ±0.3
.XX ±0.2
UNIT mm

SCALE	NONE	REV.	A	UNIT	mm	AREA	REVISIONS	CHK	DATE
-------	------	------	---	------	----	------	-----------	-----	------