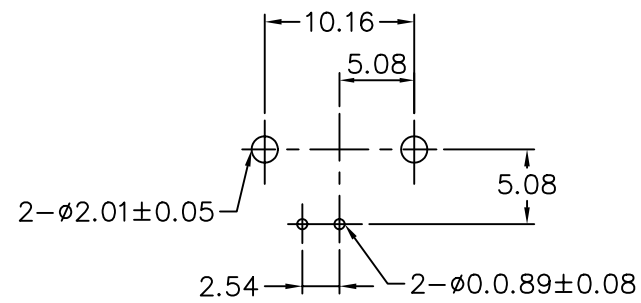
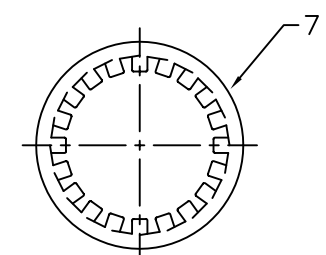
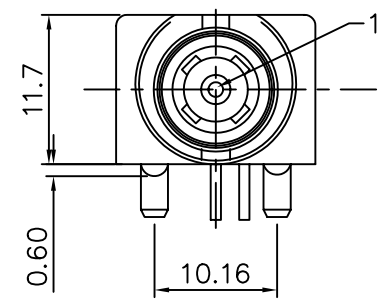
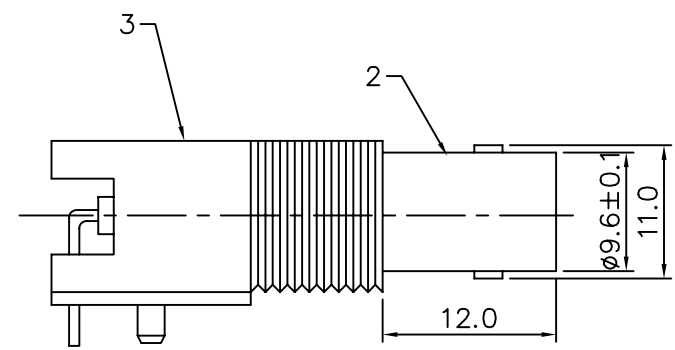
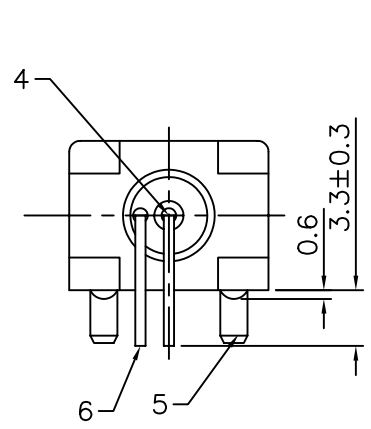


Recommended Mounting Hole
Max. Panel Thickness: 0.5mm

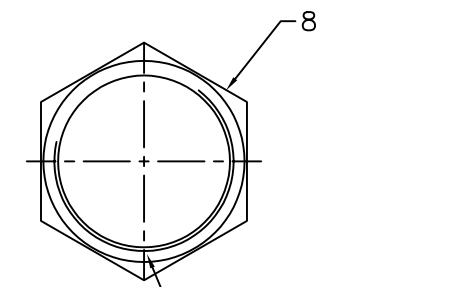


Recommended P.C. Board Layout
Without Mounting Posts

- SPECIFICATIONS :**
- 1.Center Contact: Bronze,Gold Plated
 - 2.Body: Zinc Alloy,Nickel Plated
 - 3.Housing: PBT(UL 94V-0)
 - 4.Insulator: PE-606
 - 5.Mounting Post: Bronze,Tin Lead Plated
 - 6.Solder Tail: Coor Wire,Tin Lead Plted
 - 7.Washer : Steel,Nickel Plated
 - 8.Nut: Brass,Nickel Plated
- 750hms BNC R/A PCB/Panel
Mount Jack,Metal Body



Lock Washer



1/2-28UNEF-2B
Clamp Nut

4UCON 元化興業股份有限公司
4UCON TECHNOLOGY INC.

DRAWING No.
08886

APPROVED BY MEI
CHECKED BY RAN
DRAWING BY HZF

UNLESS OTHERWISE SPECIFIED
TOLERANCES ARE
X. ±0.5
.X ±0.3
.XX ±0.2

SCALE NONE

REV. A

UNIT mm

AREA	REVISIONS	CHK	DATE