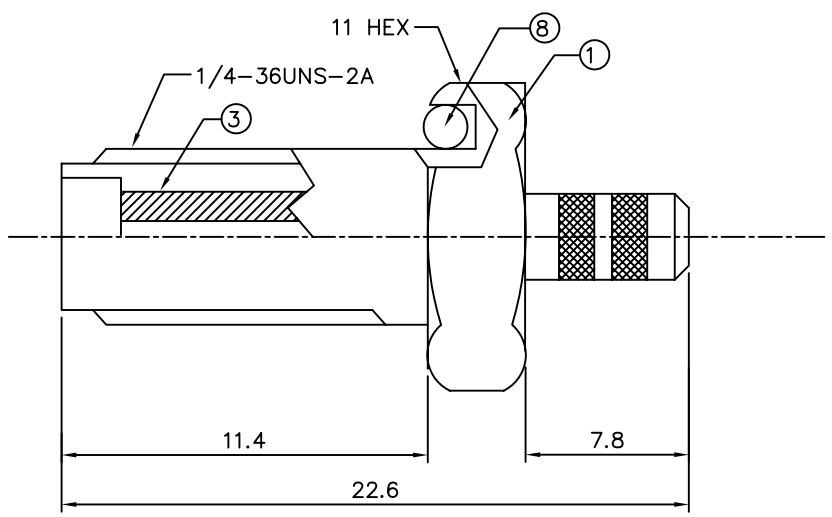
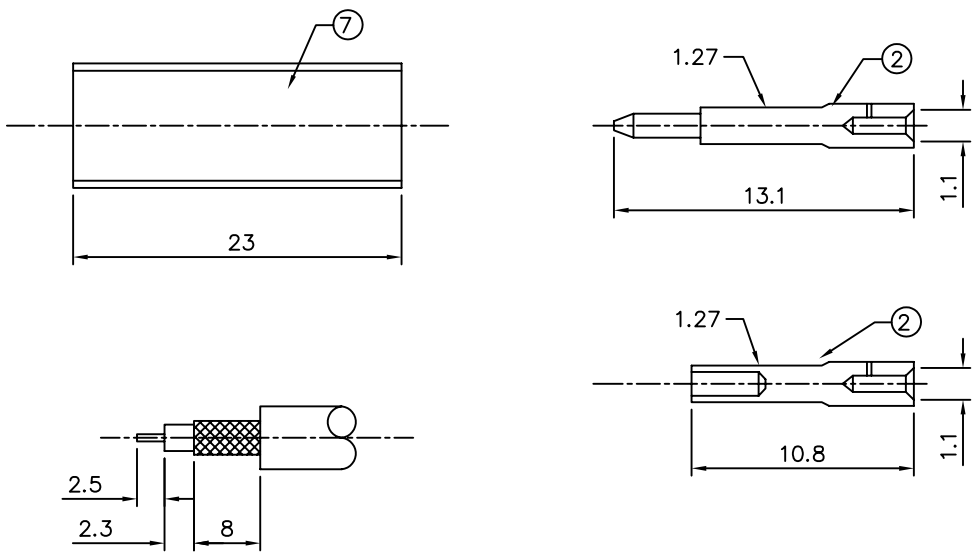
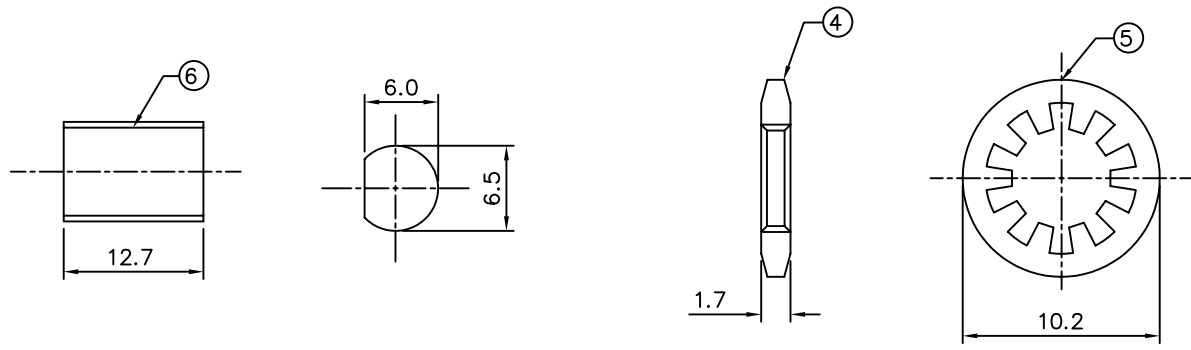


SPECIFICATIONS
 Impedance: 50 Ohms
 1,4,5,6: Brass/5u" Gold Plated
 2: Beryllium Copper/30u" Gold Plated
 3: Teflon
 7: Shrink Plastics
 8: Silicon Rubber



4UCON 元化興業股份有限公司
 4UCON TECHNOLOGY INC.

DRAWING No.		APPROVED BY		UNLESS OTHERWISE SPECIFIED TOLERANCES ARE .X ±0.38 .XX ±0.25 ANG.
09014		MEI		
		BECKY		
		DRAWING BY		UNIT mm
		HZF		
SCALE	NONE	REV.	A1	

NO.	REV.	REVISIONS	CHK	DATE
△	A1	Modify Data	BECKY	04/19/2006
△	A	NEW RELEASE	RAN	