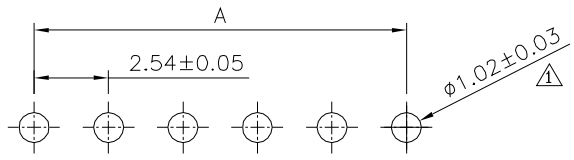
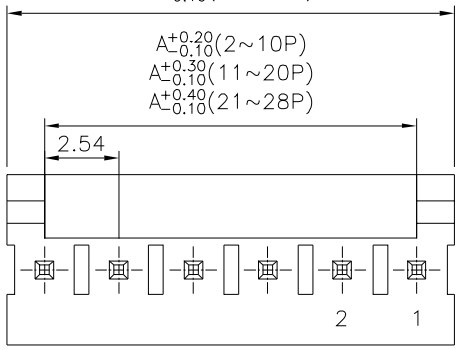


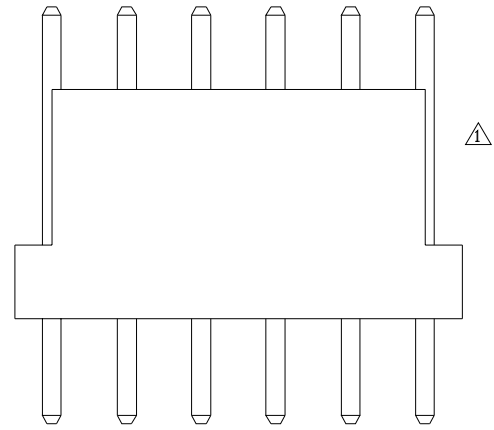
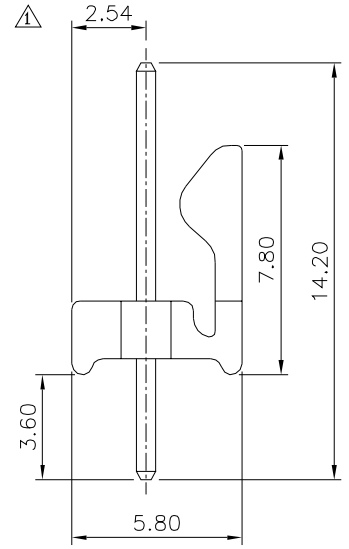
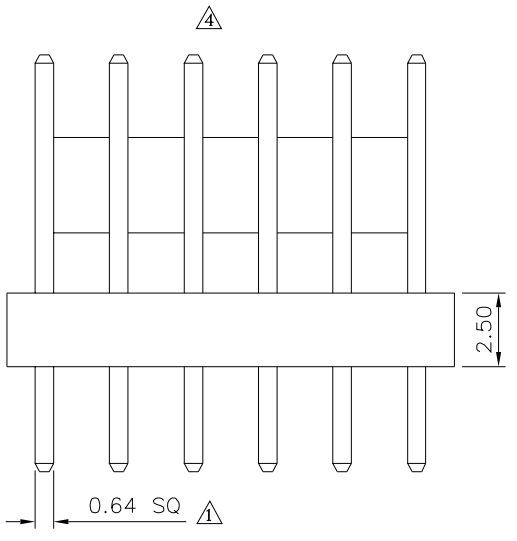
B^{+0.30}_{-0.10}(2~10P)
 B^{+0.40}_{-0.10}(11~20P)
 B^{+0.50}_{-0.10}(21~28P)

A^{+0.20}_{-0.10}(2~10P)
 A^{+0.30}_{-0.10}(11~20P)
 A^{+0.40}_{-0.10}(21~28P)

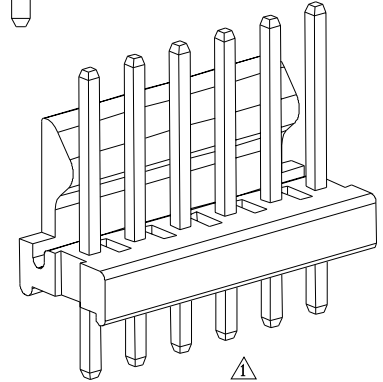


Recommended P.C.B. Layout

△△ SPECIFICATION
 Electrical Rating:UL 250V 2A,AC/DC
 CSA 250V 2A,AC/DC
 Contact:Brass,Tin Plated Over Nickel
 △ Base:PA66(UL94V-0),White
 RoHS Compliant



| Pin | A | B |
|-----|-------|-------|
| 02 | 2.54 | 5.08 |
| 03 | 5.08 | 7.62 |
| 04 | 7.62 | 10.16 |
| 05 | 10.16 | 12.70 |
| 06 | 12.70 | 15.24 |
| 07 | 15.24 | 17.78 |
| 08 | 17.78 | 20.32 |
| 09 | 20.32 | 22.86 |
| 10 | 22.86 | 25.40 |
| 11 | 25.40 | 27.94 |
| 12 | 27.94 | 30.48 |
| 13 | 30.48 | 33.02 |
| 14 | 33.02 | 35.56 |
| 15 | 35.56 | 38.10 |
| 16 | 38.10 | 40.64 |
| 17 | 40.64 | 43.18 |
| 18 | 43.18 | 45.72 |
| 19 | 45.72 | 48.26 |
| 20 | 48.26 | 50.80 |
| 21 | 50.80 | 53.34 |
| 22 | 53.34 | 55.88 |
| 23 | 55.88 | 58.42 |
| 24 | 58.42 | 60.96 |
| 25 | 60.96 | 63.50 |
| 26 | 63.50 | 66.04 |
| 27 | 66.04 | 68.58 |
| 28 | 68.58 | 71.12 |



4UCON 元化興業股份有限公司
 4UCON TECHNOLOGY INC.

| | | | | |
|-------------|------|-------------|-----|--|
| DRAWING No. | | APPROVED BY | | UNLESS OTHERWISE SPECIFIED TOLERANCES ARE △ .X ±0.30 △ .XX ±0.20 △ .XXX ±0.10 ANG. ±2° |
| 09447 | | MEI | CYP | |
| | | HZF | | |
| SCALE | NONE | REV. | A4 | |

| NO. | REV. | REVISIONS | CHK | DATE |
|-----|------|-------------|-------|------------|
| △4 | A4 | Modify Data | HZF | 03/08/2024 |
| △3 | A3 | Modify Data | HZF | 05/15/2018 |
| △2 | A2 | Modify Data | HZF | 05/29/2013 |
| △1 | A1 | Modify Data | HZF | 07/25/2009 |
| △0 | A0 | NEW RELEASE | BECKY | 05/11/2005 |