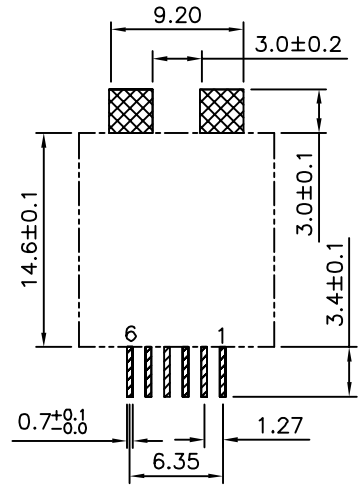
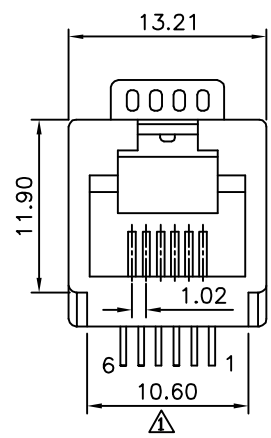
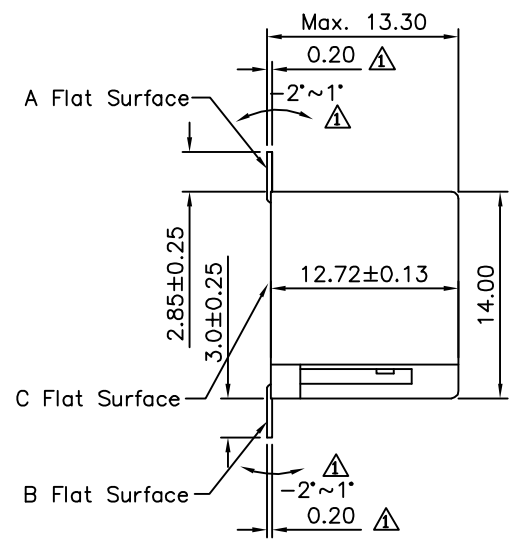
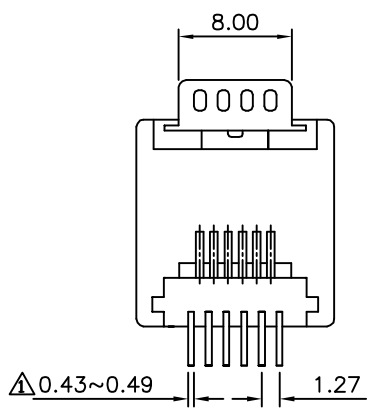


**△ SPECIFICATION**  
 Housing:PA9T(UL94V-0),Black  
 Insert Housing:PA46(UL94V-0),Black  
 Heat Deflection Temperature:290°C  
 Contact:Phosphor Bronze  
 Gold Plated 6u" On Contact Area,Gold  
 Flash On Other Area,Over Nickel  
 Hold Down:Copper Alloy,Tin Plated  
 Cavity Confirms To FCC Rules And  
 Regulations Part 68,Subpart F  
 RoHS Compliant



△ Recommended P.C.B. Layout



Note:  
 1.A And B Highest Point Must Over C Flat Surface.  
 2.The Max. Distance(0.15mm) Between Lowest And Highest On A And B Flat Surface.

**4UCON** 元化興業股份有限公司  
 4UCON TECHNOLOGY INC.

DRAWING No.		APPROVED BY		UNLESS OTHERWISE SPECIFIED TOLERANCES ARE .X ±0.25 .XX ±0.13 .XXX ±0.05 ANG. ±0.5°	NO. REV.	REVISIONS	CHK	DATE				
09684		MEI							△ A3	Modify Data	HZF	04/05/2012
		HZF							△ A2	Modify Data	HZF	11/30/2010
		DRAWING BY		SONG	△ A1	Modify Data	HZF	09/24/2010				
SCALE		NONE			REV.	A3	UNIT mm	△ A0	NEW RELEASE	BECKY	2004/07/16	