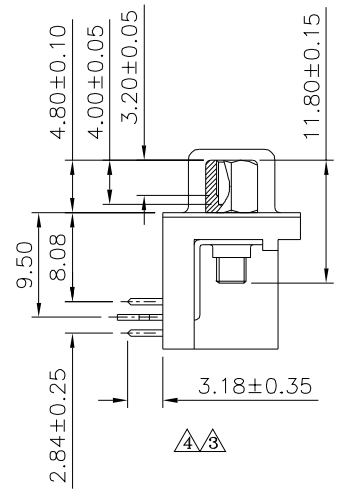
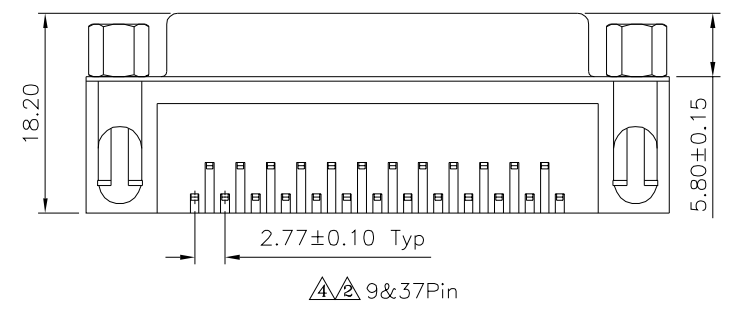
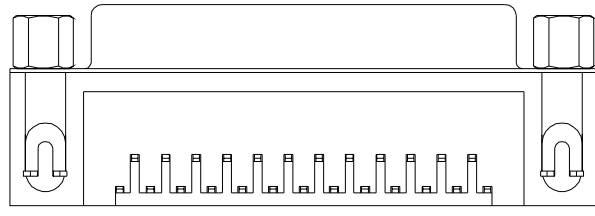
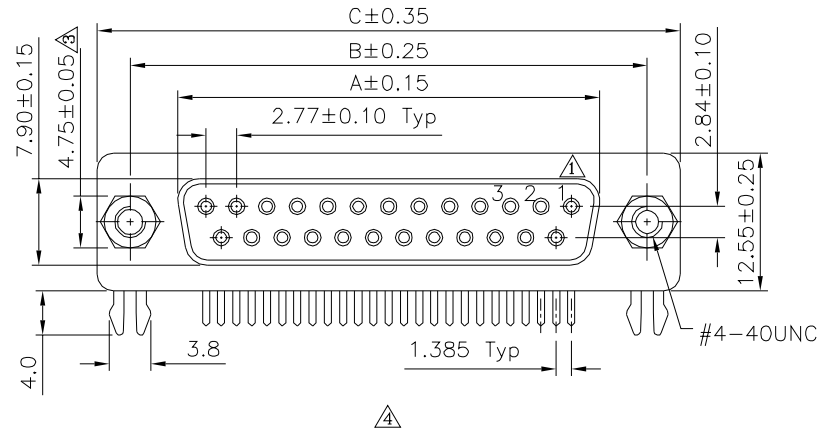


△ SPECIFICATION
 △ Current Rating: 1 Amps
 Voltage Rating: 250V AC
 Withstanding Voltage: 500V (One Minute)
 Contact Resistance: 30 Milliohms Max.
 Insulation Resistance: 1000 Megaohms Min.
 At 500V DC
 Operating Temperature: -55°C ~ +105°C
 Shell: Steel, Nickel Plated
 Insulator: PBT+30%G.F. (UL94V-0), Black
 Contact: Brass
 Gold Flash On Contact Area
 Tin Plated On Solder Tails, Over Nickel
 Z Flake: Steel, Tin Plated
 Screw: Steel, Nickel Plated
 RoHS Compliant



Pin	A	B	C
09	16.33	24.99	30.81
15	24.80	33.32	39.20
25	38.38	47.04	53.04
37	54.84	63.50	69.40

4UCON 元化興業股份有限公司
 4UCON TECHNOLOGY INC.

DRAWING No.		APPROVED BY		UNLESS OTHERWISE SPECIFIED TOLERANCES ARE .X ±0.38 .X* ±3* .XX ±0.25 .XX* ±1* .XXX ±0.05 .XXX* ±0.5*	△ C4	Modify Data	HZF	08/10/2021
09956		MEI			△ C3	Modify Data	HZF	07/22/2015
		CHECKED BY			△ C2	Modify Data	HZF	12/27/2013
SCALE NONE		DRAWING BY		△ C1	Modify Data	HZF	08/12/2013	
		CYP		△ C0	NEW RELEASE	HZF	05/24/2013	
REV.	C4	UNIT	mm	NO. REV.	REVISIONS	CHK	DATE	