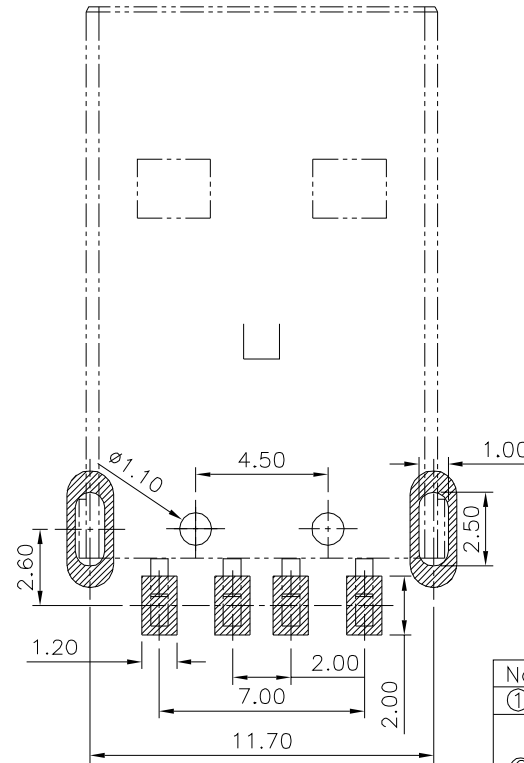
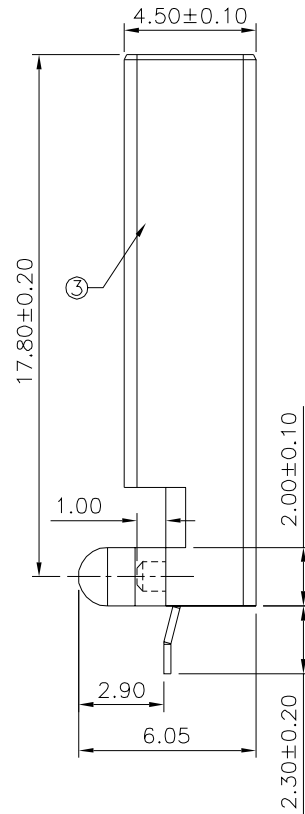
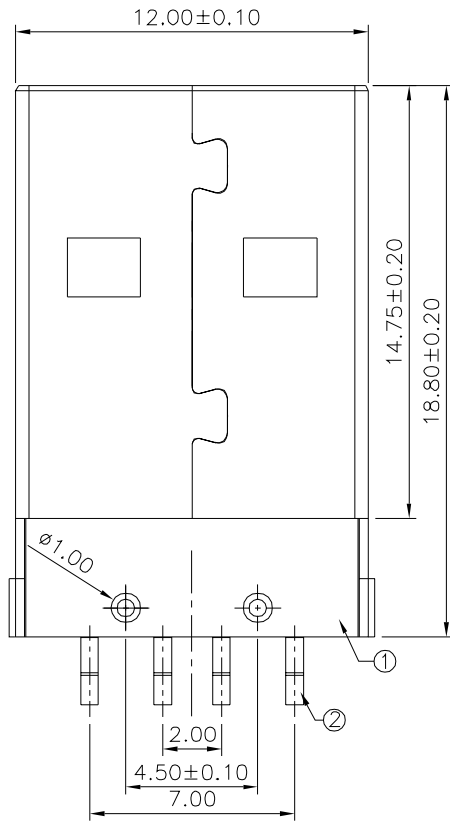
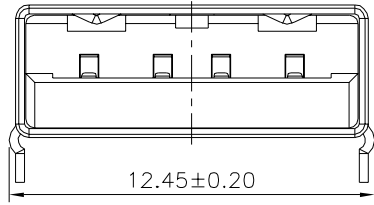


SPECIFICATION

Current Rating: 1A Max.
 Dielectric Withstanding Voltage: 30V AC
 For 1 Minute
 Insulation Resistance: 1000 Megaohms Min.
 At DC 500V
 Contact Resistance: 30 Milliohms Max.
 Temperature Range: -55°C~+105°C
 RoHS Compliant



Recommended P.C.B. Layout
 (PCB Board Tolerance±0.10)

No.	Name	Q'ty	Material	Remark
①	Housing	1	LCP(UL94V-0)	Black
②	Contact	4	Brass	Gold Flash On Contact Area, Tin Plated On Solder Tails, Over Nickel
③	Shell	1	Cold Rolled Steel	Nickel Plated Over Copper

4UCON 元化興業股份有限公司
 4UCON TECHNOLOGY INC.

DRAWING No.

10017

APPROVED BY

MEI

CHECKED BY

HZF

DRAWING BY

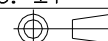
CYP

UNLESS OTHERWISE
 SPECIFIED
 TOLERANCES ARE
 .X ±0.30
 .XX ±0.20
 .XXX ±0.10
 ANG. ±1°

SCALE NONE

REV. BO

UNIT mm



△ BO Modify Data HZF 09/08/2015

△ BO NEW RELEASE HZF 09/08/2015

NO. REV. REVISIONS CHK DATE