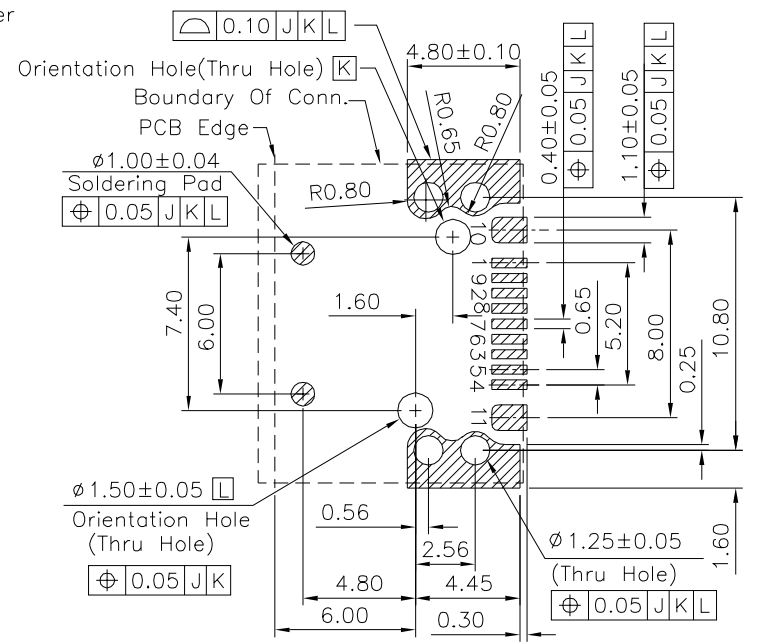
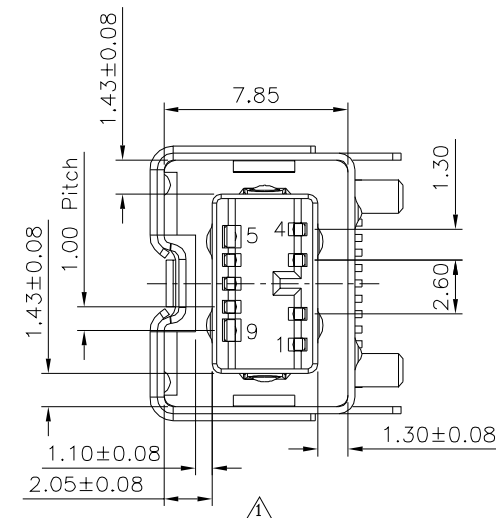
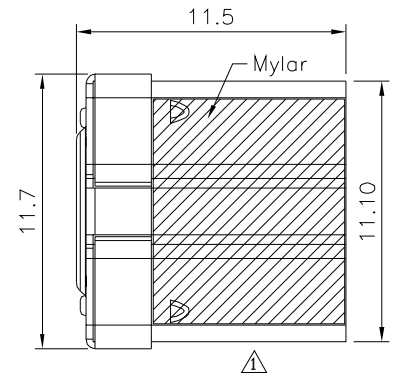
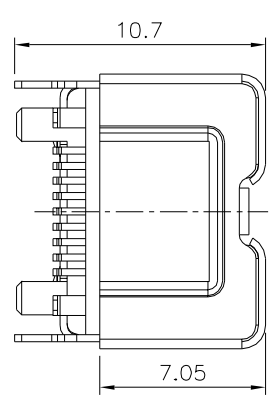
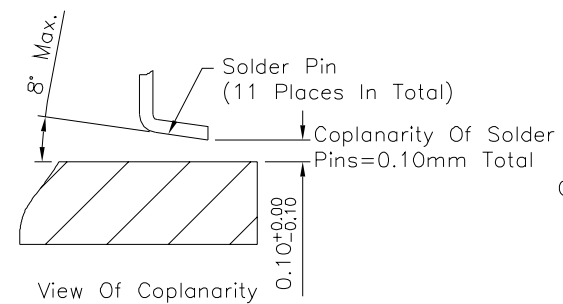
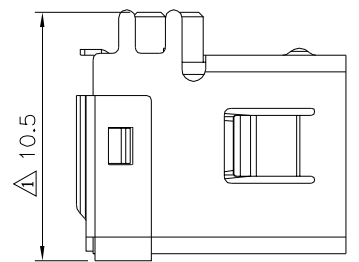
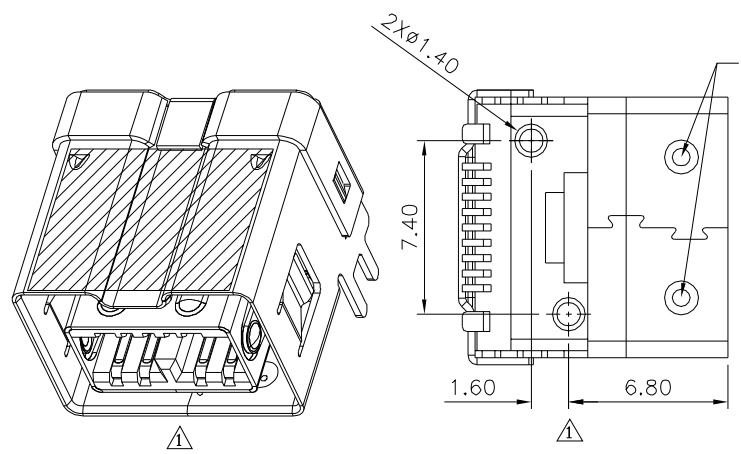


SPECIFICATION

Current:1.5 Amp
 Voltage:30V
 Contact Resistance:50 Milliohms Max.
 Shell Resistance:50 Milliohms
 Insulation Resistance:100 Megaohms Min.
 Dielectric Withstand Voltage:100V DC
 Operation Temperature:-40°C~+85°C
 Storage Temperature:-40°C~+105°C
 The Clearance Between The Contact And PCB
 No More Than 0.10mm

Housing:LCP(UL94V-0)
 Contact:Phosphor Bronze,Gold Plated 30u" On Contact Area,Tin Plated On Solder Tails,Over Nickel
 Shell:Brass,Nickel Plated
 RoHS Compliant



Recommended P.C.B. Layout

4UCON 元化興業股份有限公司
 4UCON TECHNOLOGY INC.

DRAWING No. Δ		APPROVED BY		UNLESS OTHERWISE SPECIFIED TOLERANCES ARE
10023		MEI		
		HZF		
		DRAWING BY		.X ±0.30 .X* ±1.0
		CYP		.XX ±0.20 .XX* ±0.5
				.XXX ±0.10 .XXX* ±0.2
SCALE	NONE	REV.	A1	UNIT
				mm

NO.	REV.	REVISIONS	CHK	DATE
Δ	A1	Modify Data	HZF	04/17/2020
Δ	A0	NEW RELEASE	HZF	01/07/2011