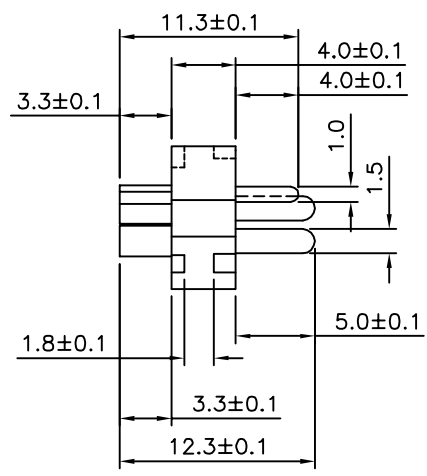
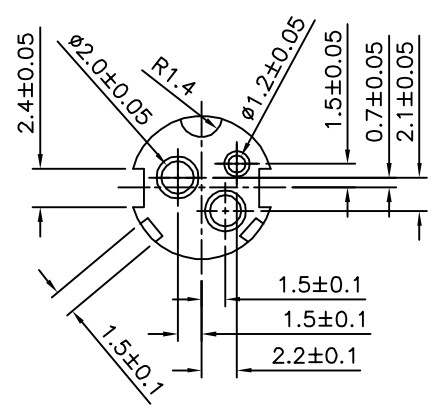
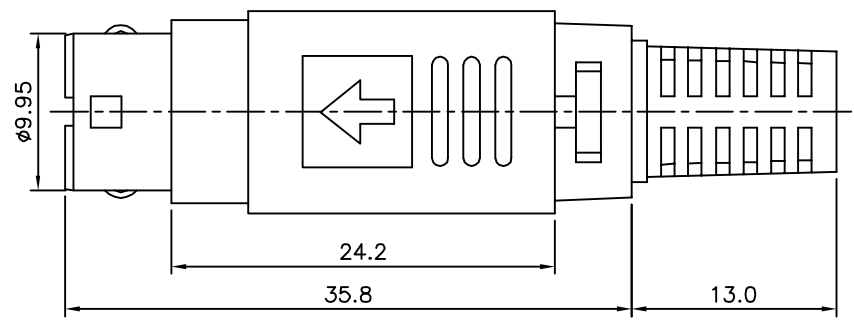
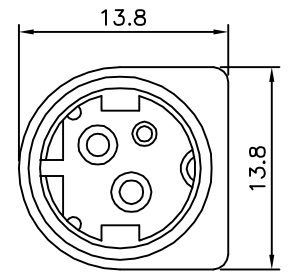


SPECIFICATION

Rating Current:7.5A DC Max.
 Rated Voltage:20V DC Max.
 Operation Temperature:-20°C~+85°C
 Housing:PBT(UL94V-0)
 Contact:Copper Alloy,Silver Plated
 Plastic Cover:ABS,Black
 Metal Shell:Copper Alloy,Nickel Plated
 Metal Cap:Copper Alloy,Nickel Plated
 Cable Fixer:Copper Alloy,Tin Plated
 POM Ring:POM
 Spring:Steel,Nickel Plated
 Plastic Tube:ABS
 SR:PVC
 RoHS Compliant



4UCON 元化興業股份有限公司
 4UCON TECHNOLOGY INC.

| | | | | |
|-------------|------|-------------|----|-----------------------------------------------------------------------------------------------------------|
| DRAWING No. | | APPROVED BY | | UNLESS OTHERWISE SPECIFIED TOLERANCES ARE X ±0.20 XX ±0.10 .XXX ±0.05 .XXXX ±0.03 ANG. ±1° |
| 10236 | | EMILY | | |
| | | CHECKED BY | | |
| | | HZF | | |
| | | DRAWING BY | | |
| | | SONG | | |
| SCALE | NONE | REV. | A0 | UNIT |
| | | | | mm |

| | | | | |
|------|------|-------------|-----|------------|
| NO. | REV. | REVISIONS | CHK | DATE |
| △ A0 | | NEW RELEASE | HZF | 01/22/2014 |