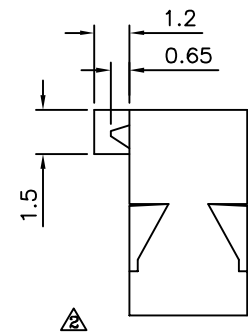
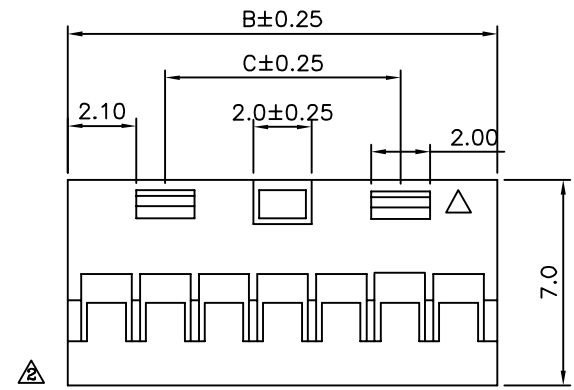
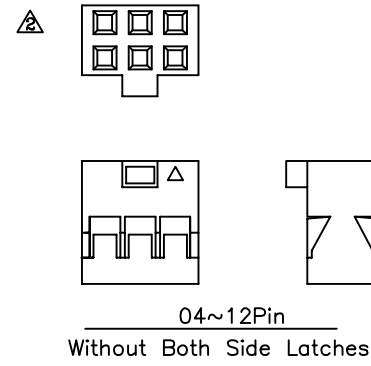
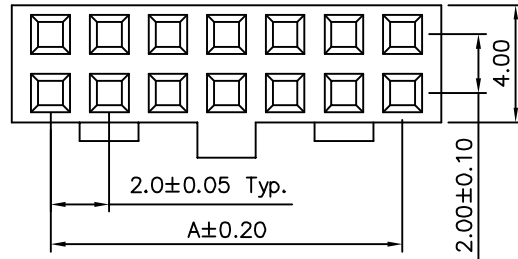


△ SPECIFICATION
 Material:PPO UL94V-1,Black
 RoHS Compliant



14~60Pin
 With Both Side Latches

Pos.	A	B	C	Pcs/Bag
04	2.00	4.20		1000
06	4.00	6.20		1000
08	6.00	8.20		1000
10	8.00	10.20		1000
12	10.00	12.20		1000
14	12.00	14.20	8.00	1000
16	14.00	16.20	10.00	1000
18	16.00	18.20	12.00	1000
20	18.00	20.20	14.00	1000
22	20.00	22.20	16.00	1000
24	22.00	24.20	18.00	1000
26	24.00	26.20	20.00	1000
28	26.00	28.20	22.00	1000
30	28.00	30.20	24.00	1000
32	30.00	32.20	26.00	1000
34	32.00	34.20	28.00	500
36	34.00	36.20	30.00	500
40	38.00	40.20	34.00	500
44	42.00	44.20	38.00	500
50	48.00	50.20	44.00	500
60	58.00	60.20	54.00	500

PART No.		APPROVED BY		UNLESS OTHERWISE SPECIFIED TOLERANCES ARE .X ±0.25 .XX ±0.15 .XXX ±0.08
10410		MEI		
		CHECKED BY	HZF	
		DRAWING BY	XYH	
SCALE	NONE	REV.	A2	UNIT mm

△ A2	Modify Data	HZF	12/05/2009
△ A1	Modify Data	BECKY	04/20/2006
△ A0	NEW RELEASE	BECKY	
NO. REV.	REVISIONS	CHK	DATE

4UCON 元化興業股份有限公司
 4UCON TECHNOLOGY INC.