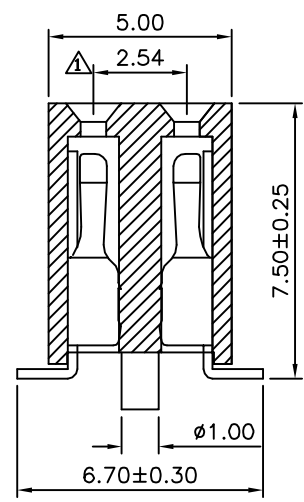
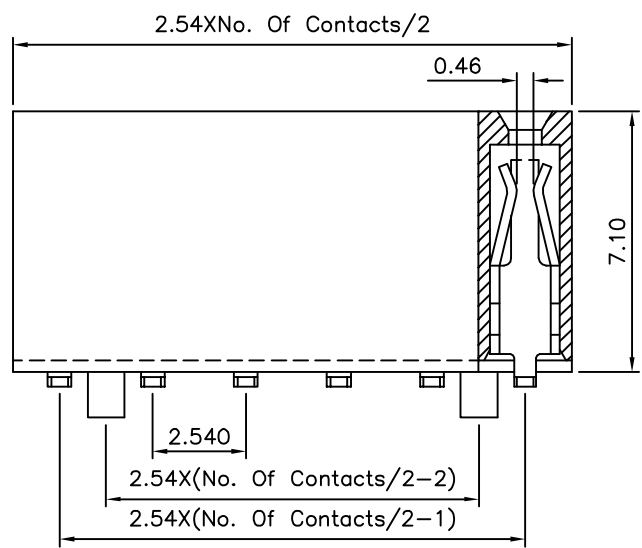


△ Recommended P.C.B. Layout

△ SPECIFICATION
 Current Rating:3 Amp
 Insulation Resistance:1000 Megaohms Min.
 Dielectric Withstanding:600V AC/DC
 Contact Resistance:20 Milliohms Max.
 Operation Temperature:-40°C~+105°C
 Contact:Phosphor Bronze,Gold Flash
 Insulator:PA6T(UL94V-0),Black
 RoHS Compliant



△

4UCON 元化興業股份有限公司
 4UCON TECHNOLOGY INC.

DRAWING No.		APPROVED BY		UNLESS OTHERWISE SPECIFIED TOLERANCES ARE X. ±0.50 .X ±0.35 .XX ±0.25 .XXX ±0.05
10711		MEI		
		CHECKED BY HZF		
		DRAWING BY QQJ		
SCALE	NONE	REV.	A1	UNIT mm

NO.	REV.	REVISIONS	CHK	DATE
△ A1		Modify Data	HZF	06/23/2010
△ A0		NEW RELEASE	HZF	12/27/2006