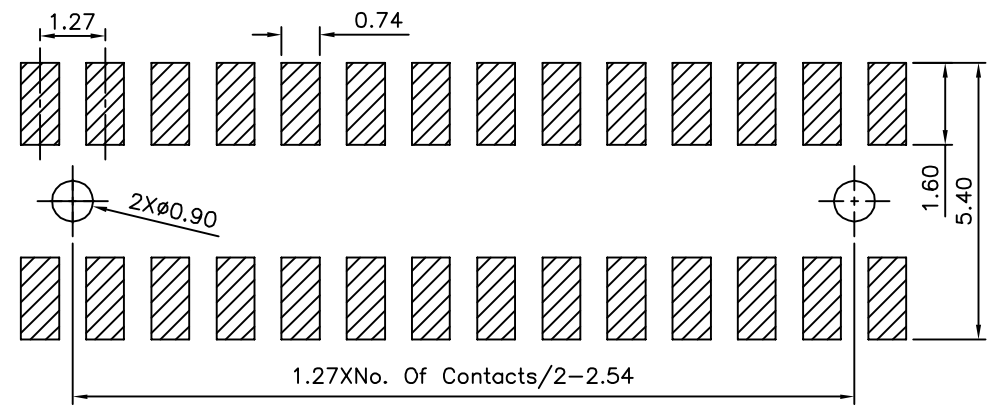
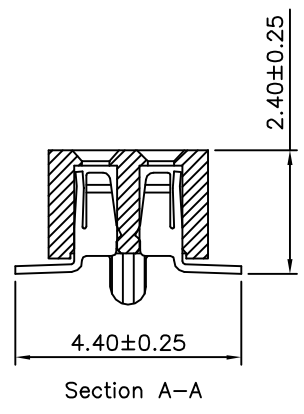
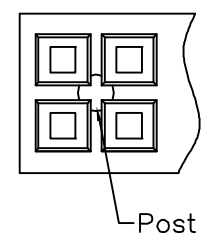
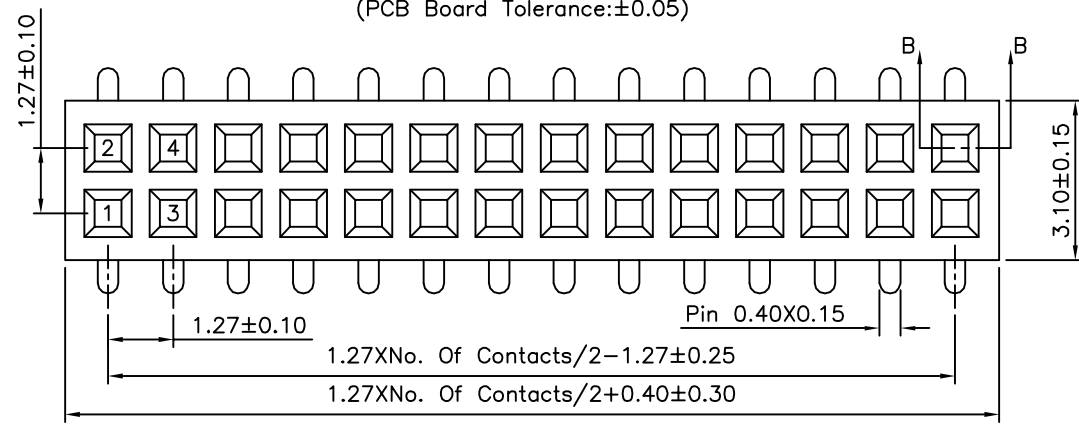


SPECIFICATION

Current Rating:1.0 Amp
 Withstand Voltage:500V AC/DC
 Contact Resistance:20 Milliohms Max.
 Insulation Resistance:1000 Megaohms Min.
 Operation Temperature:-40°C~+105°C
 Contact:Phosphor Bronze,Gold Plated Over Nickel
 Insulator:PA9T+30%G.F.(UL94V-0),Black
 RoHS Compliant



Recommended P.C.B Layout(Top Side)
 (PCB Board Tolerance:±0.05)



4UCON 元化興業股份有限公司
 4UCON TECHNOLOGY INC.

DRAWING No.		APPROVED BY		UNLESS OTHERWISE SPECIFIED TOLERANCES ARE .X ±0.40 .XX ±0.25 .XXX ±0.15 ANG. ±3°
10747		EMILY		
		CHECKED BY HZF		
		DRAWING BY HAO		
SCALE	NONE	REV.	BO	UNIT mm

NO.	REV.	REVISIONS	CHK	DATE
△ BO		NEW RELEASE	HZF	12/08/2014