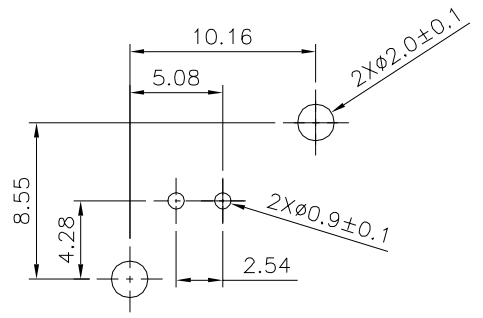
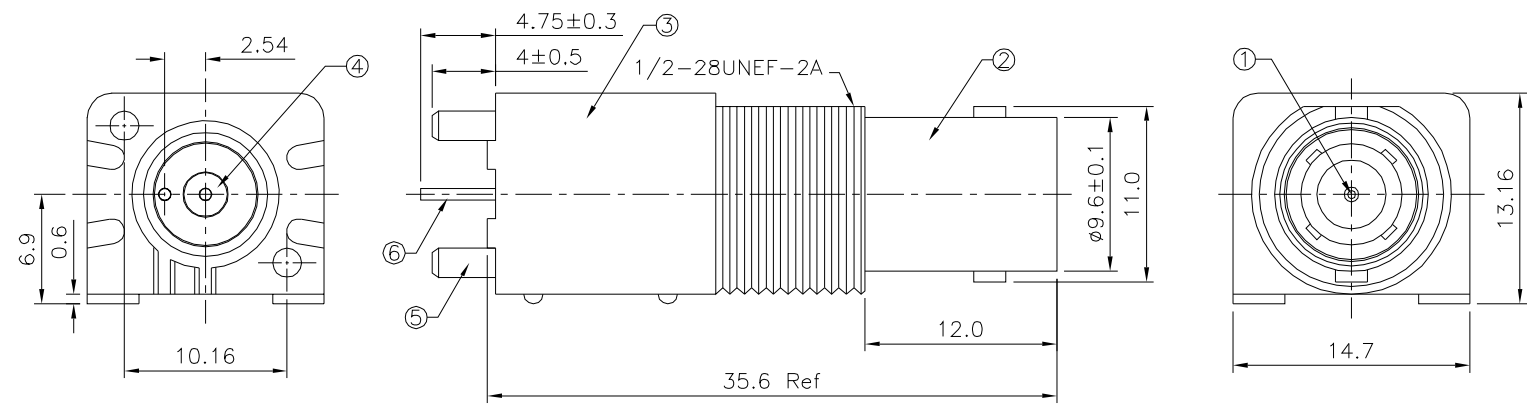


SPECIFICATION

- ① Center Contact: Phosphor Bronze
Gold Plated Over Nickel
- ② Body: Zinc Alloy, Nickel Plated
- ③ Housing: PBT(UL94V-0)
- ④ Insulator: PE-606, White
- ⑤ Mounting Post: Brass, Tin Plated
- ⑥ Solder Tail: Copper Wire, Tin Plated
RoHS Compliant



Recommended PC Board Layout
Without Mounting Posts



4UCON 元化興業股份有限公司
4UCON TECHNOLOGY INC.

DRAWING No.		APPROVED BY		UNLESS OTHERWISE SPECIFIED TOLERANCES ARE X. ±0.5 .X ±0.3 .XX ±0.2 ANG. ±3°
10903		MEI		
		CHECKED BY HZF		
		DRAWING BY CYP		
SCALE	NONE	REV.	BO	UNIT mm

NO.	REV.	REVISIONS	CHK	DATE
△ BO		NEW RELEASE	HZF	06/07/2017