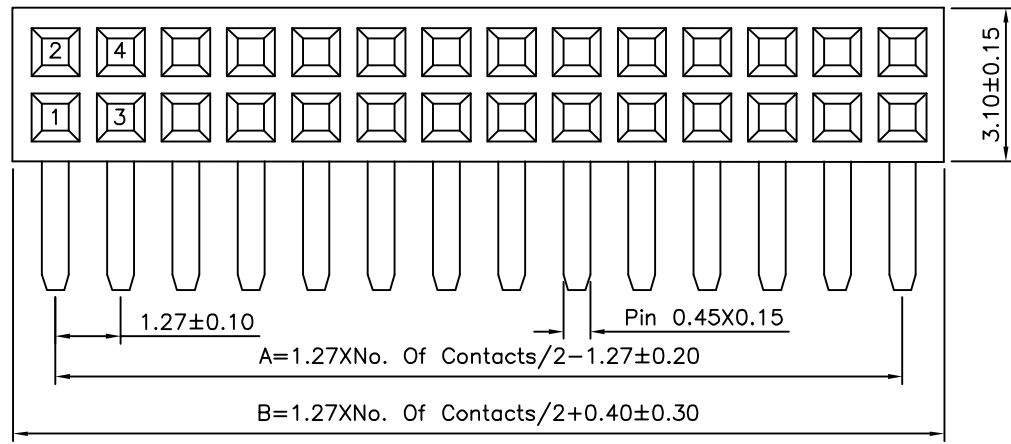
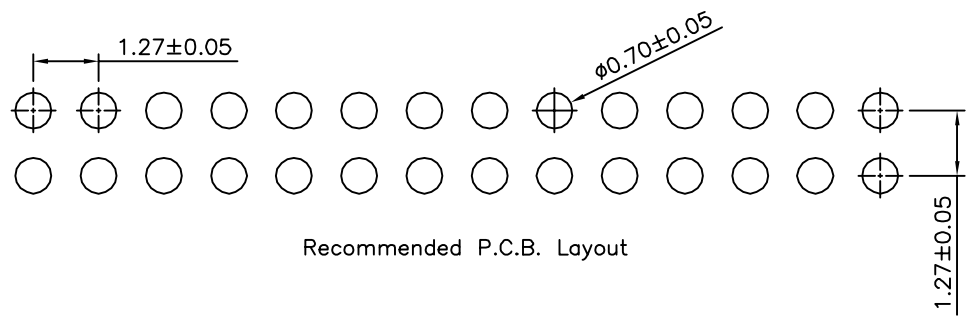
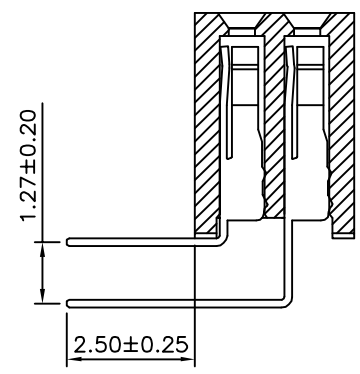
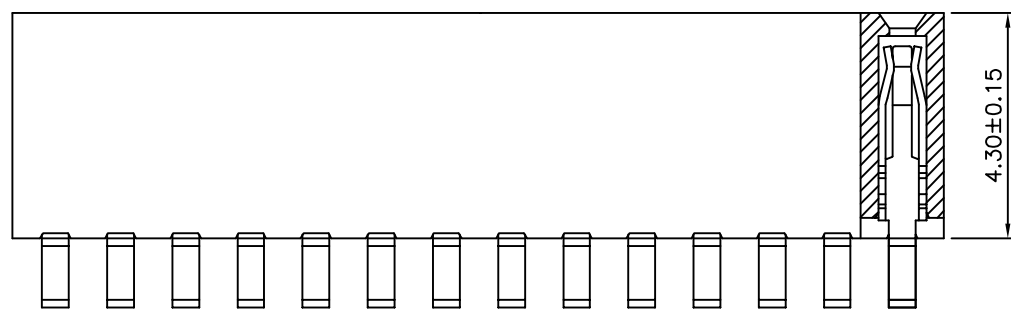


SPECIFICATION

Current Rating:1A
 Withstand Voltage:500V AC/Minute
 Contact Resistance:20 Milliohms Max.
 Insulation Resistance:1000 Megohms Min.
 Operating Temperature:-40°C~+105°C
 Insulator:PA6T+30%G.F.(UL94V-0),Black
 Contact:Phosphor Bronze,Gold Flash Over Nickel
 RoHS Compliant



| Pin | A | B | Pin | A | B |
|-----|-------|-------|-----|-------|-------|
| 04 | 1.27 | 2.94 | 54 | 33.02 | 34.69 |
| 06 | 2.54 | 4.21 | 56 | 34.29 | 35.96 |
| 08 | 3.81 | 5.48 | 58 | 35.56 | 37.23 |
| 10 | 5.08 | 6.75 | 60 | 36.83 | 38.50 |
| 12 | 6.35 | 8.02 | 62 | 38.10 | 39.77 |
| 14 | 7.62 | 9.29 | 64 | 39.37 | 41.04 |
| 16 | 8.89 | 10.56 | 66 | 40.64 | 42.31 |
| 18 | 10.16 | 11.83 | 68 | 41.91 | 43.58 |
| 20 | 11.43 | 13.10 | 70 | 43.18 | 44.85 |
| 22 | 12.70 | 14.37 | 72 | 44.45 | 46.12 |
| 24 | 13.97 | 15.64 | 74 | 45.72 | 47.39 |
| 26 | 15.24 | 16.91 | 76 | 46.99 | 48.66 |
| 28 | 16.51 | 18.18 | 78 | 48.26 | 49.93 |
| 30 | 17.78 | 19.45 | 80 | 49.53 | 51.20 |
| 32 | 19.05 | 20.72 | 82 | 50.80 | 52.47 |
| 34 | 20.32 | 21.99 | 84 | 52.07 | 53.74 |
| 36 | 21.59 | 23.26 | 86 | 53.34 | 55.01 |
| 38 | 22.86 | 24.53 | 88 | 54.61 | 56.28 |
| 40 | 24.13 | 25.80 | 90 | 55.88 | 57.55 |
| 42 | 25.40 | 27.07 | 92 | 57.15 | 58.82 |
| 44 | 26.67 | 28.34 | 94 | 58.42 | 60.09 |
| 46 | 27.94 | 29.61 | 96 | 59.69 | 61.36 |
| 48 | 29.21 | 30.88 | 98 | 60.96 | 62.63 |
| 50 | 30.48 | 32.15 | 100 | 62.23 | 63.90 |
| 52 | 31.75 | 33.42 | | | |



4UCON

元化興業股份有限公司
 4UCON TECHNOLOGY INC.

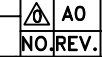
DRAWING No. 10980

APPROVED BY EMILY
 CHECKED BY HZF
 DRAWING BY HAO

UNLESS OTHERWISE SPECIFIED TOLERANCES ARE
 .X ±0.30
 .XX ±0.20

SCALE NONE REV. AO

UNIT mm



NO.REV.

AO NEW RELEASE
 REVISIONS

HZF 08/09/2014
 CHK DATE