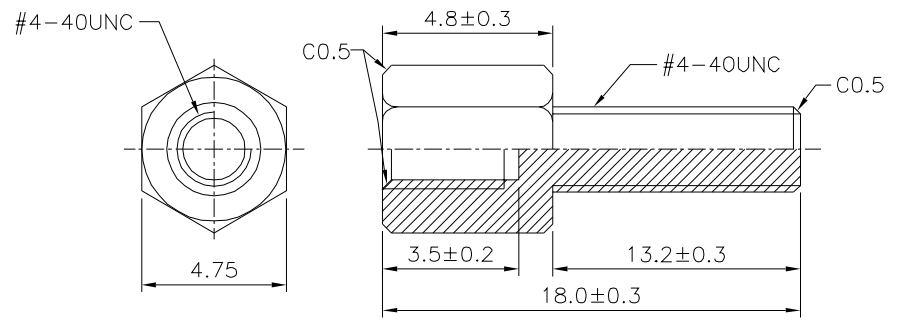
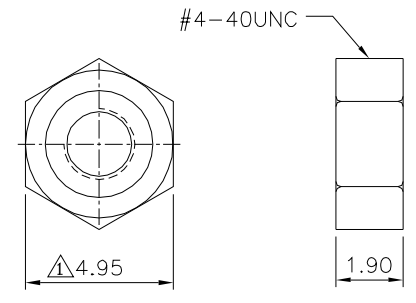


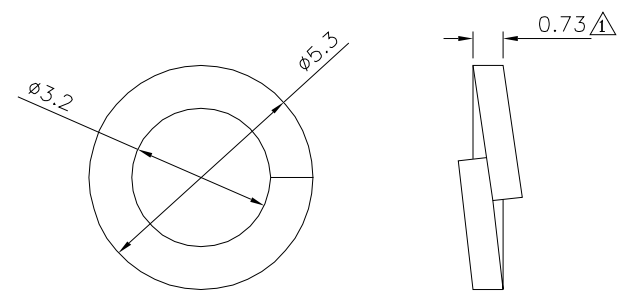
**SPECIFICATION**  
 Screw: Copper, Nickel Plated  
 Nut: Steel, Nickel Plated  
 Washer: Steel, Nickel Plated  
 Q'ty: Screw, Flat Washer, Split Washer & Nut  
 Each Of 2 PCS/Bag  
 RoHS Compliant



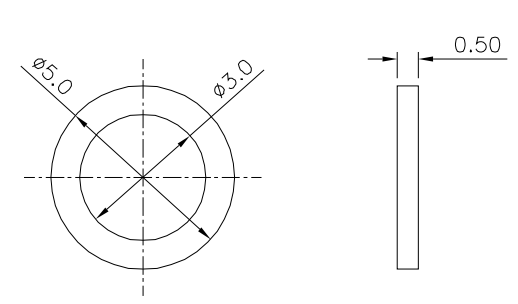
△ Screw



Nut



Split Washer



Flat Washer

**4UCON** 元化興業股份有限公司  
 4UCON TECHNOLOGY INC.

DRAWING No.		APPROVED BY		UNLESS OTHERWISE SPECIFIED TOLERANCES ARE .X ±0.38 .XX ±0.25
10985		EMILY		
		CHECKED BY HZF		
SCALE		DRAWING BY		UNIT mm
NONE		HAO		
REV.	A1	NO. REV.		REVISIONS

△ A1	Modify Data	HZF	11/19/2025
△ A0	NEW RELEASE	HZF	05/05/2015
NO. REV.	REVISIONS	CHK	DATE