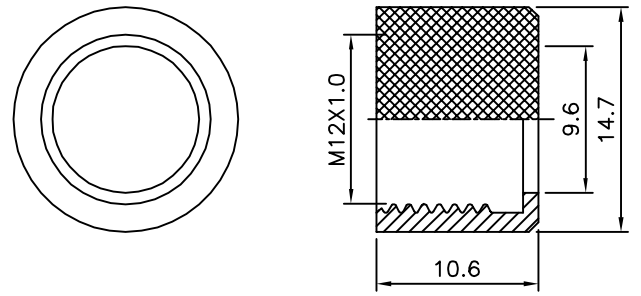
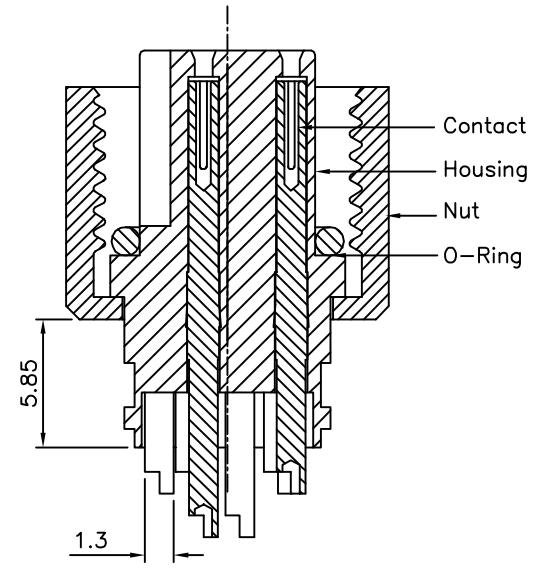
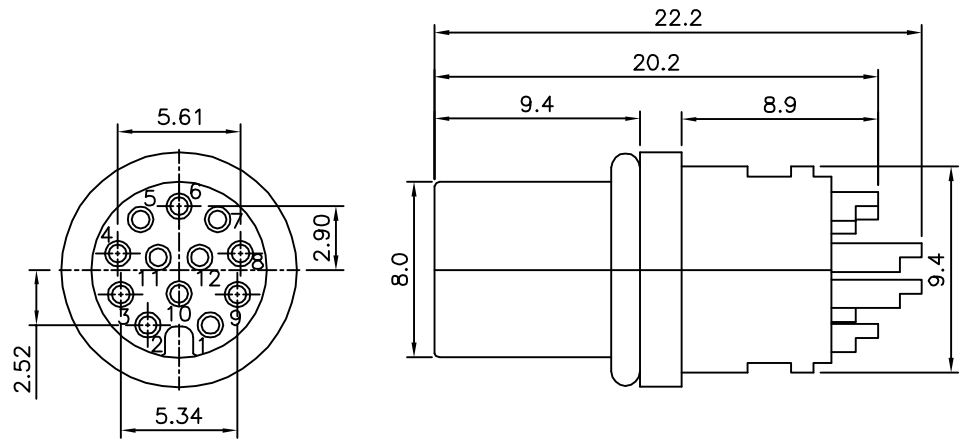


**SPECIFICATION**

Current Rating:1A  
 Voltage Rating:30V  
 Water Proof:IPX7  
 Operating Temperature:-40°C~+85°C  
 Housing:PBT(UL94V-0),Black  
 Contact:Brass,Gold Plated Over Nickel  
 Nut:Brass,Nickel Plated  
 O-Ring:Edpm  
 RoHS Compliant



Nut

**4UCON** 元化興業股份有限公司  
 4UCON TECHNOLOGY INC.

DRAWING No.		APPROVED BY		UNLESS OTHERWISE SPECIFIED TOLERANCES ARE .X ±0.3 .XX ±0.20
11079		EMILY		
		CHECKED BY HZF		
DRAWING BY		HAO		
SCALE	NONE	REV.	A0	UNIT mm

NO.	REV.	REVISIONS	CHK	DATE
△ A0		NEW RELEASE	HZF	04/06/2015