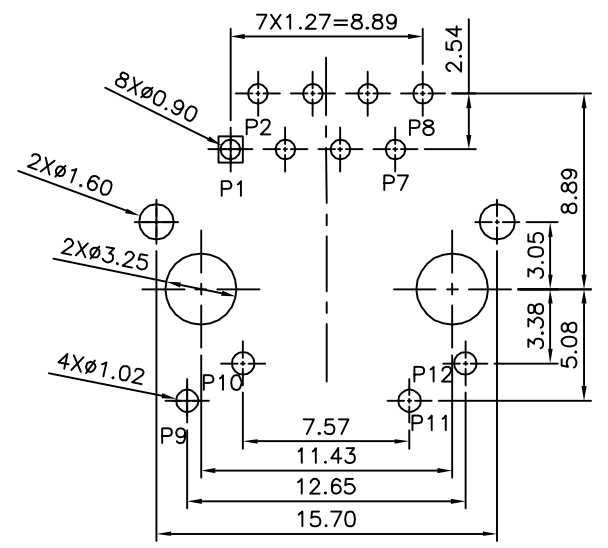
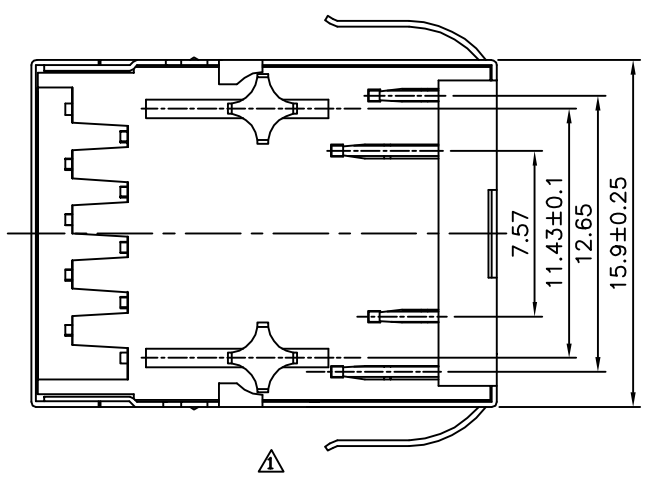
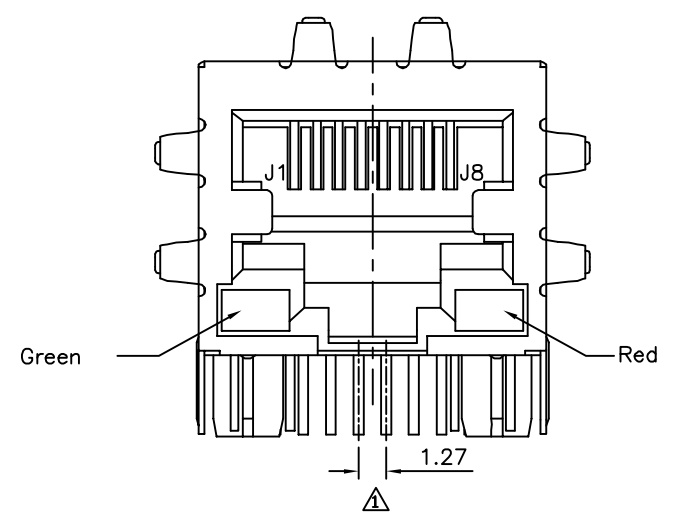
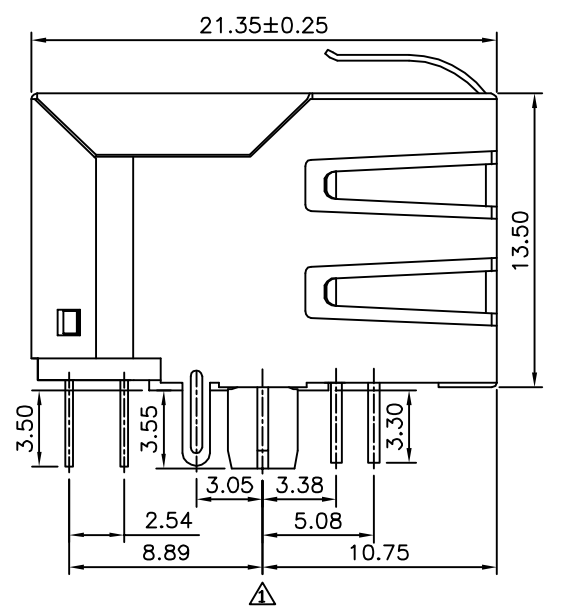


**△ SPECIFICATION**

Housing:PA66(UL94V-0),Black  
 Insert:PBT(UL94V-0),Black  
 Contact:Phosphor Bronze  
 Gold Plated 06u" On Contact Area  
 Tin Plated On Solder Tails,Over Nickel  
 Shield:Brass,Nickel Plated  
 Pin Not Electrically Connected Maybe Omitted See  
 Electrical Drawing For Omitted Pins  
 RJ45 Cavities Conform To FCC Rules And Regulation Part 68.  
 Operation Temperature:0°C~+70°C  
 Storage Temperature:-40°C~+85°C  
 RoHS Compliant



△ Recommended P.C.B. Layout(Component Side)  
 (PCB Board Tolerance±0.10)

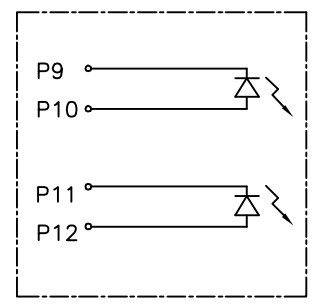
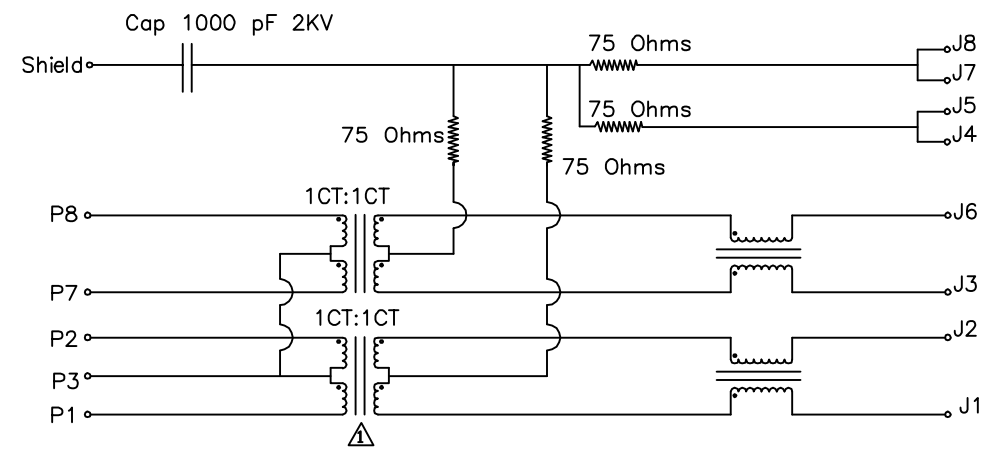
**4UCON** 元化興業股份有限公司  
 4UCON TECHNOLOGY INC.

DRAWING No.		APPROVED BY		UNLESS OTHERWISE SPECIFIED TOLERANCES ARE △ .X ±0.254 .XX ±0.254 ANG.
11089		MEI		
		HZF		
		DRAWING BY		UNIT mm
		HAO		
SCALE	NONE	REV.	A1	

NO.	REV.	REVISIONS	CHK	DATE
△ A1		Modify Data	HZF	09/08/2015
△ A0		NEW RELEASE	HZF	05/07/2013

**⚠ ELECTRICAL SPECIFICATION@25°C**

- 1.0 Turn Ratio @100KHz:(P1~P2):(J1~J2):1:1±5%  
(P7~P8):(J3~J6):1:1±5%
- 2.0 Primary Inductance:350uH Min. @100KHz 0.1V 8mA DC Bias
- 3.0 DC Resistance:(J1~J2):(J3~J6):1.2 Ohms Max.
- 4.0 Insertion Loss:1 MHz To 100 MHz:-1.2dB Max.
- 5.0 Return Loss:1 MHz To 30 MHz:-16dB Min.  
30 MHz To 60 MHz:-12dB Min.  
60 MHz To 80 MHz:-10dB Min.
- 6.0 Crow Talk:1 MHz To 100 MHz:-30dB Min.
- 7.0 Common To Common Mode Attenuation:1 MHz To 100 MHz:-30dB Min.
- 8.0 Isolation:PHY Side To Line Side:1500V AC Or 2250V DC  
RoHS Compliant



**LED Color Option**

Left LED Single Color Right LED Single Color	Left LED Single Color Right LED Dual Color	Left LED Dual Color Right LED Single Color	Left LED Dual Color Right LED Dual Color
P9 P10	P9 P10	P9 P10	P9 P10
P11 P12	P11 P12	P11 P12	P11 P12

\*F:Forward ; R:Reverse

**4UCON** 元化興業股份有限公司  
4UCON TECHNOLOGY INC.

DRAWING No.		APPROVED BY		UNLESS OTHERWISE SPECIFIED TOLERANCES ARE .X ±0.38 .XX ±0.25 ANG.
11089		MEI		
		CHECKED BY		
		HZF		
		DRAWING BY		
		HAO		
SCALE	NONE	REV.	A1	UNIT mm

NO.	REV.	REVISIONS	CHK	DATE
⚠ A1		Modify Data	HZF	09/08/2015
⚠ A0		NEW RELEASE	HZF	05/07/2013