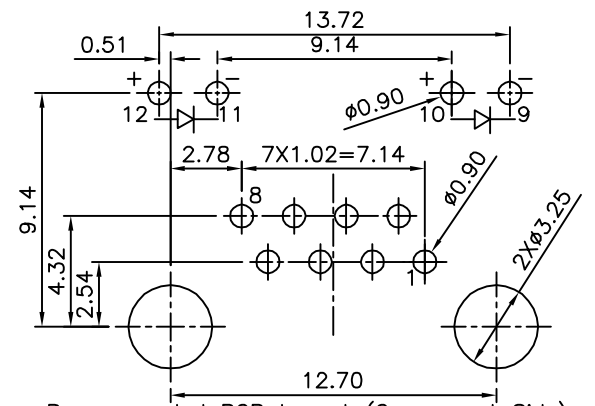
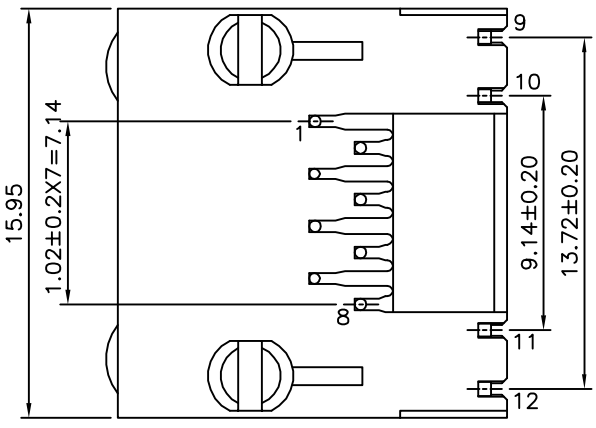
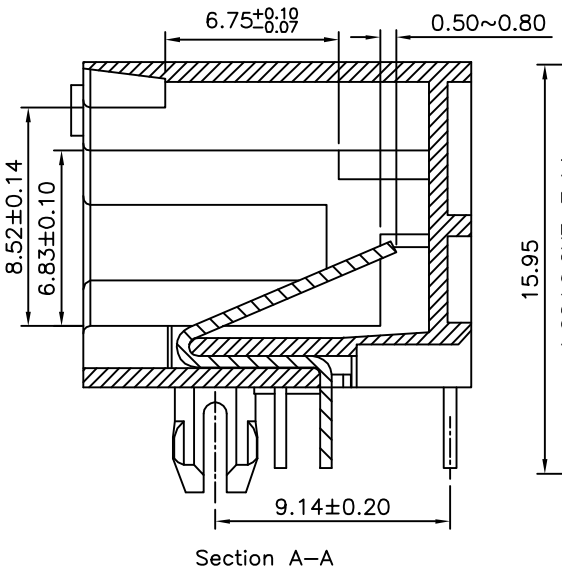
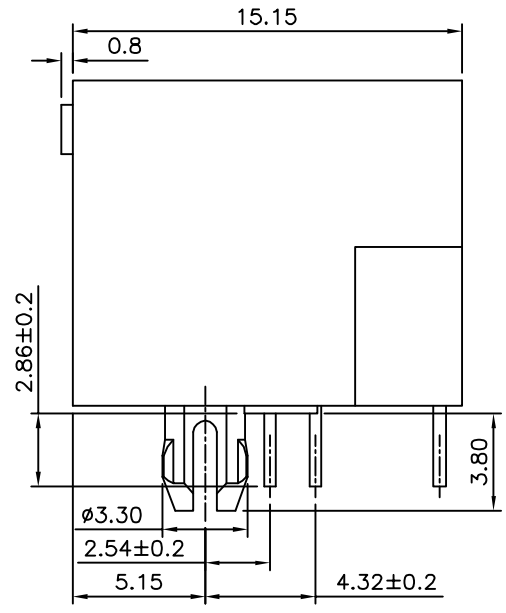
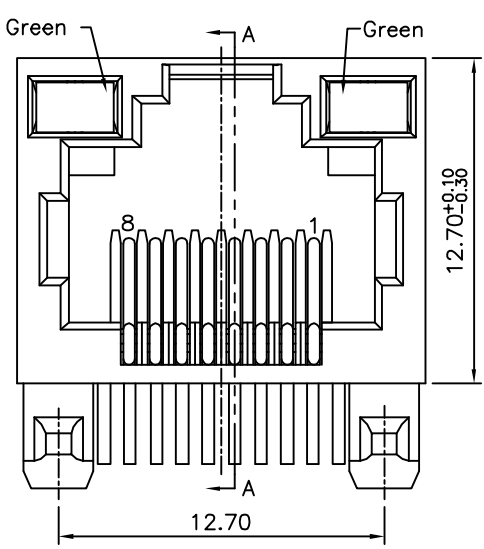


SPECIFICATION
 Current Rating:1.5 Amps
 Voltage Rating:125V AC RMS
 Contact Resistance:20 Milliohms Max.
 Insulation Resistance:1000 Megaohms Min. At 500V DC
 Dielectric Withstanding:1000V AC Or 1500V DC RMS
 At 0.5mA 50Hz/60Hz For 1 Minute
 Storage Temperature:-40°C~+85°C,Relative Humidity<80%
 Operation Temperature:-40°C~+85°C
 Mating/Unmating Force:30N/3.06Kg Max.
 Retention Strength:50N Min. For 60s±5s
 Durability:750 Cycles Min.
 Housing & Insert:PBT(UL94V-0),Black
 Contact:Phosphor Bronze $\phi 0.46\text{mm}$
 Gold Flash Over All,Over Nickel
 Mates With Modular Plug Conforming To FCC Part 68,Subpart F.
 RoHS Compliant



Recommended PCB Layout (Component Side)
 (PCB Board Tolerance±0.05)Thickness=1.60mm

4UCON 元化興業股份有限公司
 4UCON TECHNOLOGY INC.

DRAWING No.		APPROVED BY		UNLESS OTHERWISE SPECIFIED TOLERANCES ARE 00~15 ±0.15 15~30 ±0.20 30~ ±0.25 ANG. ±1°
11229		EMILY		
		CHECKED BY HZF		
		DRAWING BY CYP		
SCALE	NONE	REV.	A0	UNIT mm

NO.	REV.	DESCRIPTION	CHK	DATE
△ A0		NEW RELEASE	HZF	11/27/2014
		REVISIONS		